

Features

- 3A200 RECEIVE relay
- 3A201 SEND relay
- 3A202 combined SEND & RECEIVE relay
- 3A203 2x 3A200 elements per case
- System immunity to AC voltages (300V)
- High isolation between coil & contacts & case up to 15KV
- High DC sensitivity
- High visibility mechanical hand reset or self reset flag
- Heavy duty self reset contacts with optional magnetic blowouts to further enhance DC switching capacity
- Made in Australia

Description

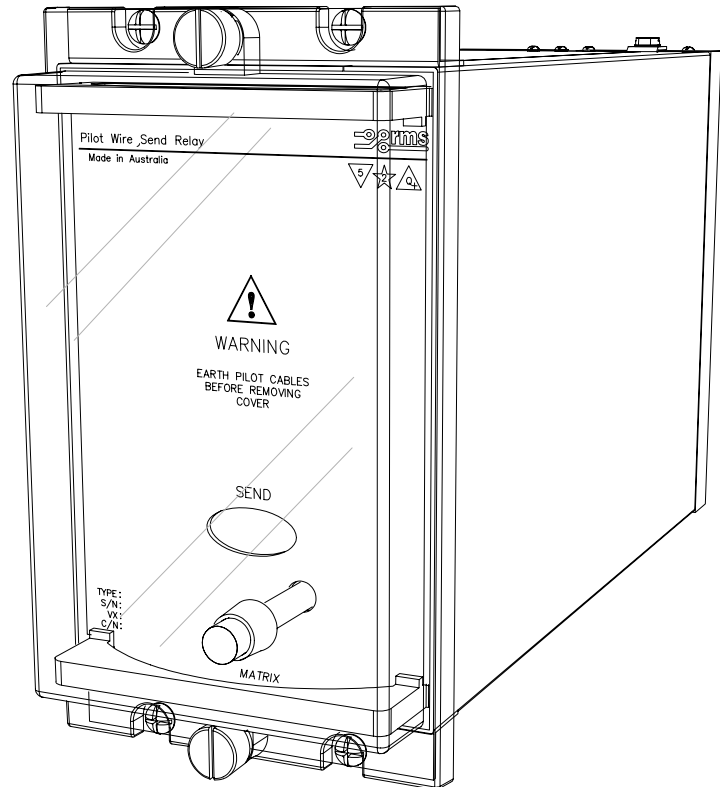
Intertripping over copper pilots using a DC signal is commonly employed. The 3A20 Series Relays are intended for the remote control of switchgear & associated equipment via pilot wires on which induced AC voltages could cause false tripping.

The 3A201 Send relay is used to interface a conventional protection relay to the pilot wire with suitable electrical isolation for the feeder voltage level.

The 3A200 Receive relay is used to interface the pilot wire to the circuit breaker at the receive end with suitable electrical isolation for the feeder voltage level. The 3A200 employs an internal filter & a special relay coil fitted with a copper sleeve over the core which makes the relay element immune to AC voltages to over 300V. The high DC sensitivity of the relay allows operation over pilot wires at nominal voltage with loop resistances of up to 2,700 ohms.

The 3A202 relay combines a 3A201 Send & a 3A200 Receive relay element in a single case for two way intertripping applications.

The 3A203 relay combines 2x 3A200 Receive relay elements in a single case to reduce panel space requirements.



3A201 15KV version depicted in a size 4M case

Operation

Made in Australia

The operating element of the 3A20 Series is based on the well proven 6R heavy duty attracted armature control relay. The DC version of this relay is inherently immune to AC voltages & the addition of an AC filter circuit & copper shield over the core of the receive relay greatly enhances this attribute while maintaining high sensitivity to DC voltages.

A mechanical flag indicator is provided on both the send & receive elements which drops on pick up. Manual & self reset version available.

The 3A201 send element is used to apply a DC control voltage to the pilot wire which will be detected by the 3A200 receive element & the auxiliary contacts picked up.

The 3A202 version combines a 3A201 send & a 3A200 receive element in a single case (2KV & 5KV versions only).

The 3A203 version combines 2x 3A200 receive elements in a single case (2KV & 5KV versions only).

HIGH VOLTAGE ISOLATION

Pilot wire relays require high levels of isolation between coil & contacts as the pilots may be subject to insulation break down & high induced voltages caused due to proximity to the high voltage cables.

The 3A20 relays are available in three models depending on the isolation requirements of the particular application:

For system voltages up to 6.6KV a 2KV RMS insulation level is normally considered adequate;

For system voltages up to 22KV a 5KV RMS insulation level is normally considered adequate;

For system voltages above 22KV a 15KV RMS insulation level should be considered.

INSULATION RATING

2KV / 5KV / 15KV RMS between input & frame, outputs & frame, outputs & inputs.

1.2/50 5KV impulse between each terminal & earth, between circuits not normally connected together & between terminals of the same circuit.

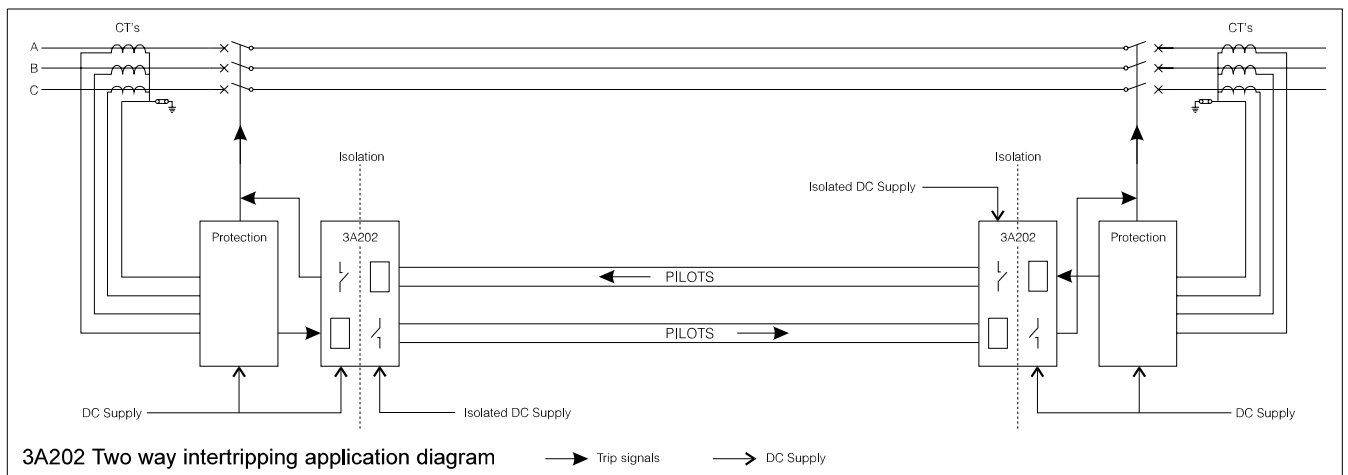
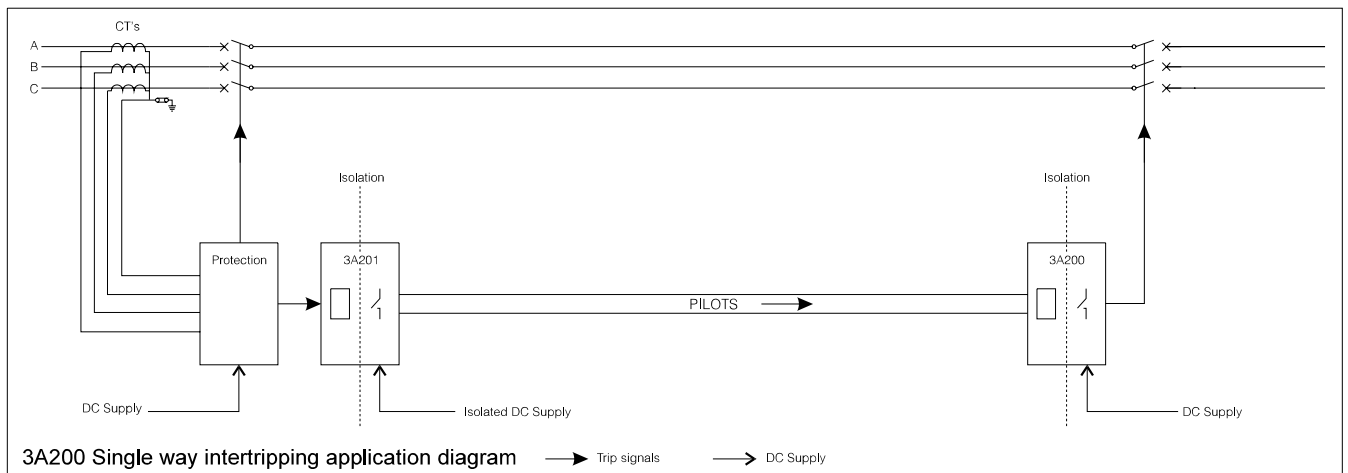
A clear polycarbonate terminal covers are supplied for 15KV isolated relay versions.

ORDERING CODE, CASE TYPE & WIRING SCHEDULE

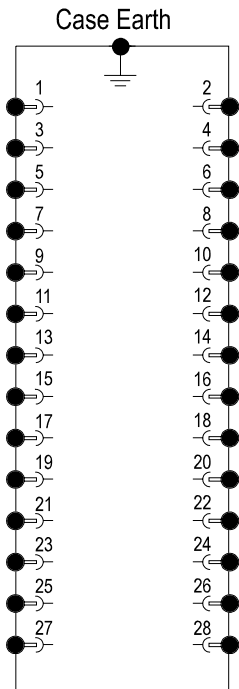
Ordering Code	Isolation Level	Case type	Wiring Schedule	Maximum Contacts M or B
3A200-x-x-A-A-x-x	2KV	2M28-S	A	4
3A200-x-x-B-A-x-x	5KV	2M28-S	A	4
3A200-x-x-C-A-x-x	15KV	4M10	B	4
3A200-x-x-C-B-x-x	15KV	Y	C	3
3A201-x-x-A-A-x-x	2KV	2M28-S	D	4
3A201-x-x-B-A-x-x	5KV	2M28-S	D	4
3A201-x-x-C-A-x-x	15KV	4M10	B	4
3A201-x-x-C-B-x-x	15KV	Y	C	3
3A202-x-x-A-A-x-x	2KV	2M28-S	E	4
3A202-x-x-B-A-x-x	5KV	4M28-S	E	4
3A203-x-x-A-A-x-x	2KV	2M28-S	E	4
3A203-x-x-B-A-x-x	5KV	4M28-S	E	4

Table 1

"x" indicates that all options are possible for this ordering code.



TERMINAL LAYOUT FOR 2M28 & 4M28 CASES



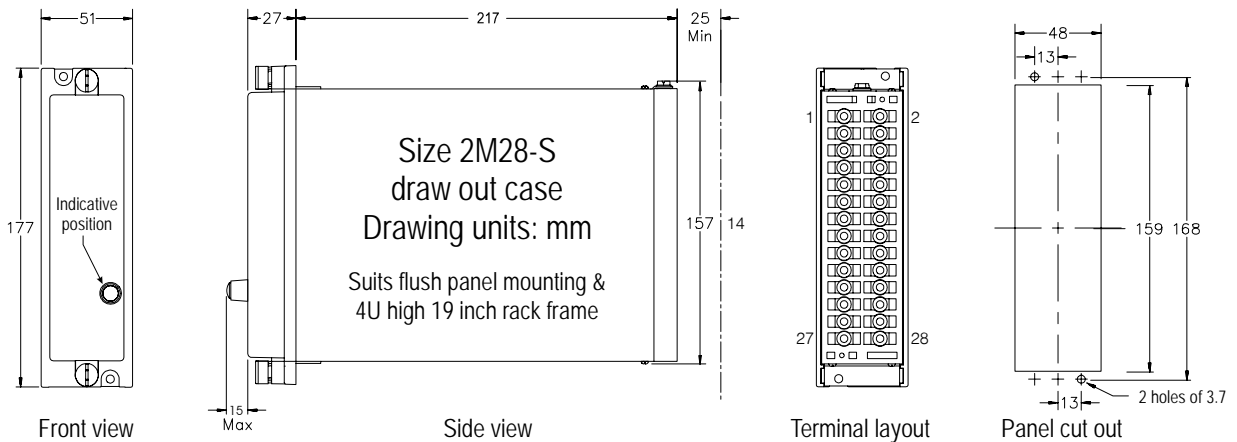
Wiring Schedules

3A200	Wiring Schedule		
	A	B	C
RECEIVE Coil	+27, -28	+9, -10	+1, -2
Contact 1-1	17, 19	1, 3	3, 4
Contact 1-2	18, 20	2, 4	5, 6
Contact 1-3	21, 23	5, 7	7, 8
Contact 1-4	22, 24	6, 8	

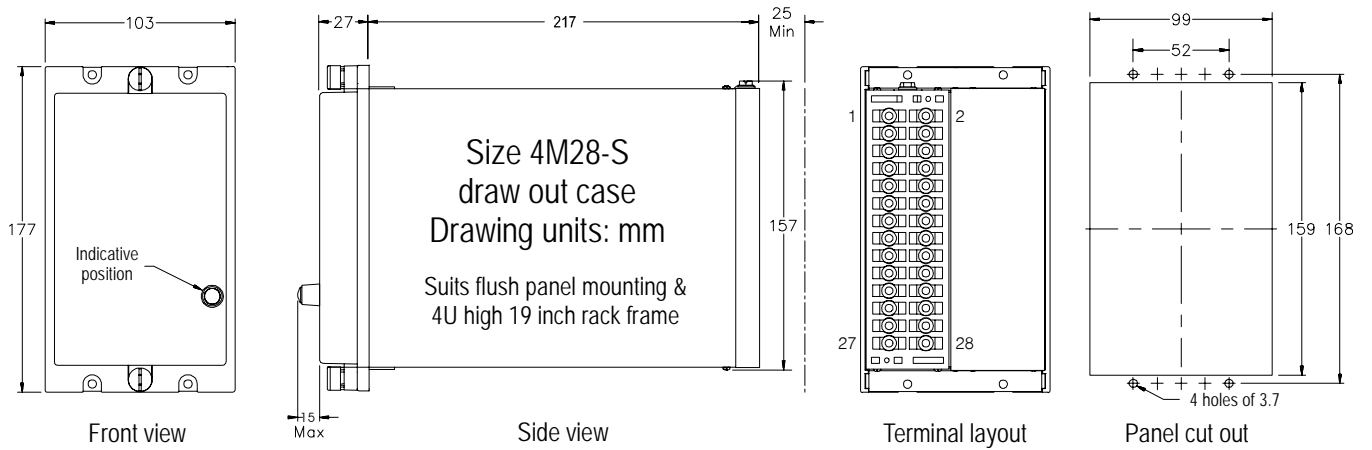
3A201	Wiring Schedule		
	D	B	C
SEND Coil	+11, -12	+9, -10	+1, -2
Contact 1-1	1, 3	1, 3	3, 4
Contact 1-2	2, 4	2, 4	5, 6
Contact 1-3	5, 7	5, 7	7, 8
Contact 1-4	6, 8	6, 8	

3A202 / 203	Wiring Schedule
	E
SEND Coil	+11, -12
Contact 2-1	1, 3
Contact 2-2	2, 4
Contact 2-3	5, 7
Contact 2-4	6, 8
RECEIVE Coil	+27, -28
Contact 1-1	17, 19
Contact 1-2	18, 20
Contact 1-3	21, 23
Contact 1-4	22, 24

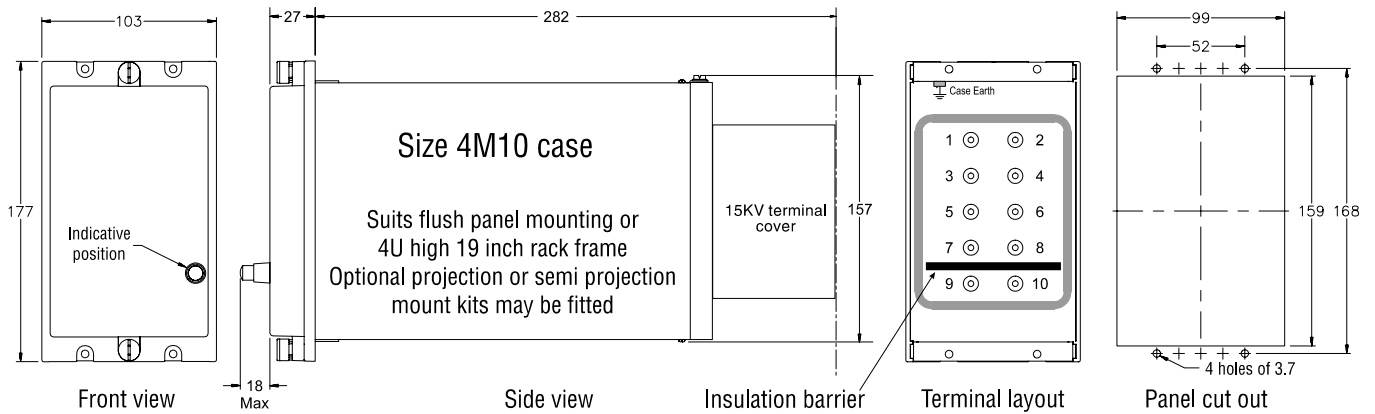
2M28-S CASE DRAWING



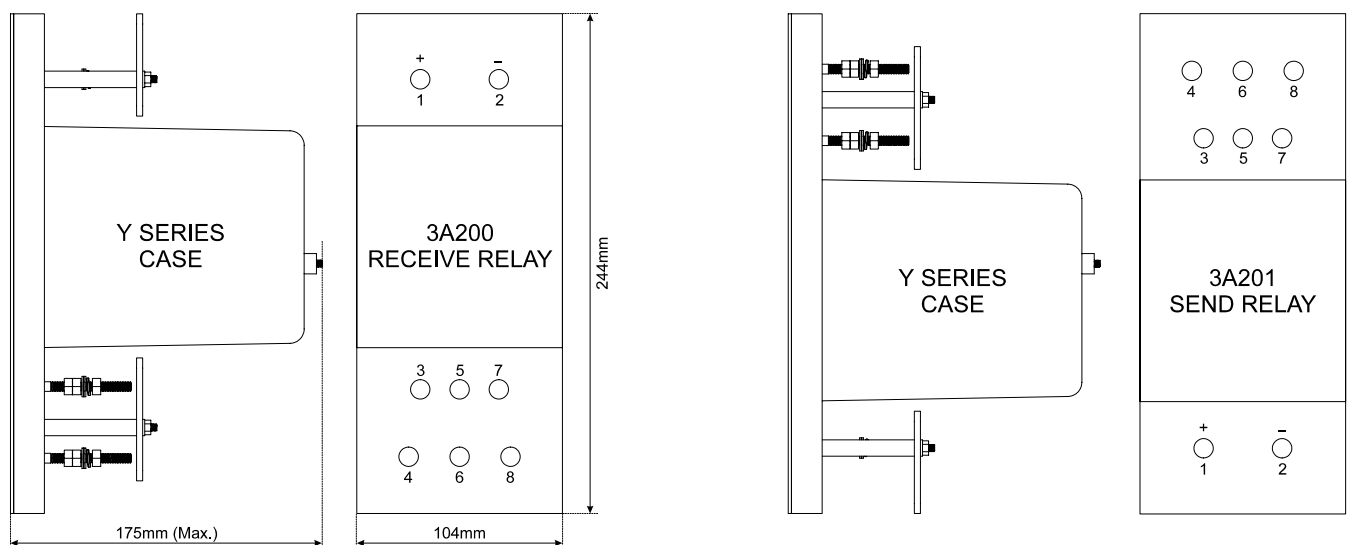
4M28-S CASE DRAWING



4M10 CASE DRAWING



Y SERIES CASE DRAWING



Technical Data

TRIP SUPPLY BURDEN

3A200	<2.5W per coil & resistor circuit (5 Watts maximum)
3A201	2W at nominal
3A202	As per 3A200 & 3A201

FLAG INDICATION

High visibility electromechanical flag indicator drops when a fault is detected (Coil energisation). A hand reset version is available with a front panel mounted hand reset push button. Alternatively a self reset version is available.

OPERATE TIME

3A200	<30ms on application of nominal DC
3A201	<30ms on application of nominal DC
3A202	As per 3A200 & 3A201

AC IMMUNITY

3A200 Receive element immune to AC voltages (300V 50Hz)

INSULATION WITHSTAND

In accordance with IEC 255-5:

2KV / 5KV / 15KV RMS between input & frame, outputs & frame, outputs & inputs. 1.2/50 5KV impulse between each terminal & earth, between circuits not normally connected together & between terminals of the same circuit.

NOISE IMMUNITY

Withstands the high frequency interference test detailed in IEC 255-22-1.

OUTPUT CONTACTS

Maximum M or B: Refer Table 1.
Optional: With magnetic blowouts fitted

TERMINAL COVERS

4M flush mount case: Clear polycarbonate cover supplied for 15KV model in 4M flush mount case.

Y surface mount case: 2 x polycarbonate terminal covers provided.

6R RELAY CONTACT RATINGS

Make & Carry Continuously

3,000 VA AC resistive with maximums of 660V & 12A
3,000 VA DC resistive with maximums of 660V & 12A

Make & Carry for 0.5 Seconds

7,500 VA AC resistive with maximums of 660V & 30A
7,500 VA DC resistive with maximums of 660V & 30A

AC Break Capacity

3,000 VA AC resistive with maximums of 660V & 12A

DC Break Capacity (Amps)

Voltage			24V	48V	125V	250V
Resistive rating		a	12	1.5	0.5	0.25
		b	12	12	10	5
L/R=40ms	Maximum break *	a	12	1	0.4	0.2
		b	30	15	5.5	3.5
	1K operations (N3 Rating)	b	12	12	5	2.5

a = Without magnetic blowouts b = With magnetic blowouts

All data relates to both the 3A200 & 3A201 unless otherwise stated. The 3A202 is a combined 3A200 & 3A201 mounted in a single case.

3A20 Ordering Codes

Generate the required ordering code with reference to Table 1:

e.g. 3A200-DBBAA-2M2B

	1	2	3	4	5	6	7
3A20	<input type="text"/>	<input type="text"/>	<input type="text"/>	<input type="text"/>	<input type="text"/>	<input type="text"/>	<input type="text"/>

1 RELAY FUNCTION

- 0 RECEIVE relay
- 1 SEND relay
- 2 Combined SEND & RECEIVE relay (2KV & 5KV isolation only)
- 3 2x 3A200 RECEIVE relay elements per case

2 NOMINAL OPERATE VOLTAGE (75 to 120% of nominal)

A	24V DC	D	110V DC
B	32V DC	E	125V DC
C	48V DC	F	250V DC

3 CONTACT DUTY

- A Magnetic blowouts fitted
- B Heavy duty contacts

4 HIGH VOLTAGE INSULATION WITHSTAND

- A 2KV RMS
- B 5KV RMS
- C 15KV RMS

5 CASE TYPE

- A M Series case – Flush or projection mount rear connect
- B Y Series case - Surface mount front connect (15KV only)

6 FLAG OPERATION

- A Hand reset flag (Default)
- B Self reset flag
- C Flag not required

7 CONTACT ARRANGEMENT

Specify the number of "MAKES" followed by M; i.e. 2M
Specify the number of "BREAKS" followed by B; i.e. 2B

Australian Content

Unless otherwise stated the product(s) quoted are manufactured by RMS at our production facility in Melbourne Australia. Approximately 60% of our sales volume is derived from equipment manufactured in house with a local content close to 90%. Imported components such as semi-conductors are sourced from local suppliers & preference is given for reasonable stock holding to support our build requirements.

Quality Assurance

RMS holds NCSI (NATA Certification Services International), registration number 6869 for the certification of a quality assurance system to AS/NZS ISO9001-2000. Quality plans for all products involve 100% inspection and testing carried out before despatch. Further details on specific test plans, quality policy & procedures may be found in section A4 of the RMS product catalogue.

Product Packaging

Protection relays are supplied in secure individual packing cardboard boxes with moulded styrene inserts suitable for recycling. Each product & packing box is labeled with the product part number, customer name & order details.

Design References

The products & components produced by RMS are based on many years of field experience since Relays Pty Ltd was formed in 1955. A large population of equipment is in service throughout Australia, New Zealand, South Africa & South East Asia attesting to this fact. Specific product & customer reference sites may be provided on application.

Product Warranty

All utility grade protection & auxiliary relay products, unless otherwise stated, are warranted for a period of 24 months from shipment for materials & labour on a return to factory basis. Repair of products damaged through poor application or circumstances outside the product ratings will be carried out at the customer's expense.

Standard Conditions of Sale

Unless otherwise agreed RMS Standard Terms & Conditions (QF 907) shall apply to all sales. These are available on request or from our web site.



Relay Monitoring Systems Pty Ltd

6 Anzed Court, Mulgrave, Victoria 3170, AUSTRALIA

Tel: 61 3 9561 0266 Fax: 61 3 9561 0277 Email: rms@rmspl.com.au Web: www.rmspl.com.au