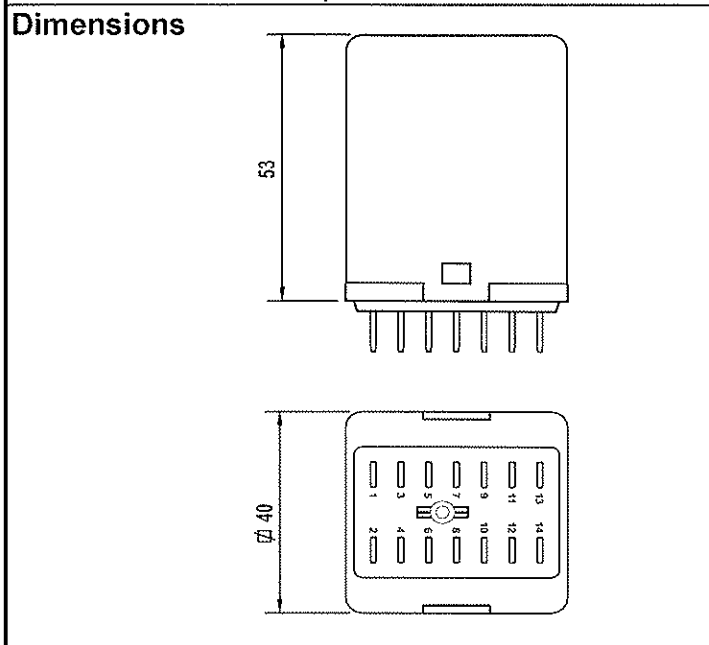


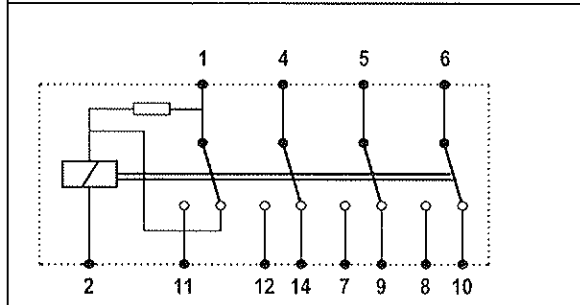
Datasheet

| | | |
|----------------|---|---|
| Product | D-R relays short pull-in time | Country of Origin: The Netherlands |
|----------------|---|---|





P.O. Box 7023
 3502 KA Utrecht
 The Netherlands
 T +31 (0)30-288 13 11
 F +31 (0)30-289 88 16
 E sales@nieaf-smitt.nl
 I www.nieaf-smitt.nl



Description

Plug-in relay with three change-over contacts.
 Equipped with a built-in switched series-resistor for fast pull-in time.

Coil data

| | | | |
|---|-------------------------------------|-------------------------|-------|
| Operating times at nominal voltage | | | |
| Pull-in time | 7 ms | Release time | 10 ms |
| Bounce time NO contacts | 6 ms | Bounce time NC contacts | 8 ms |
| Coil consumption | 25 W at pull-in 1 W at U_{nom} | | |
| Min. Hold-up Voltage | 0.05 x U_{nom} | | |

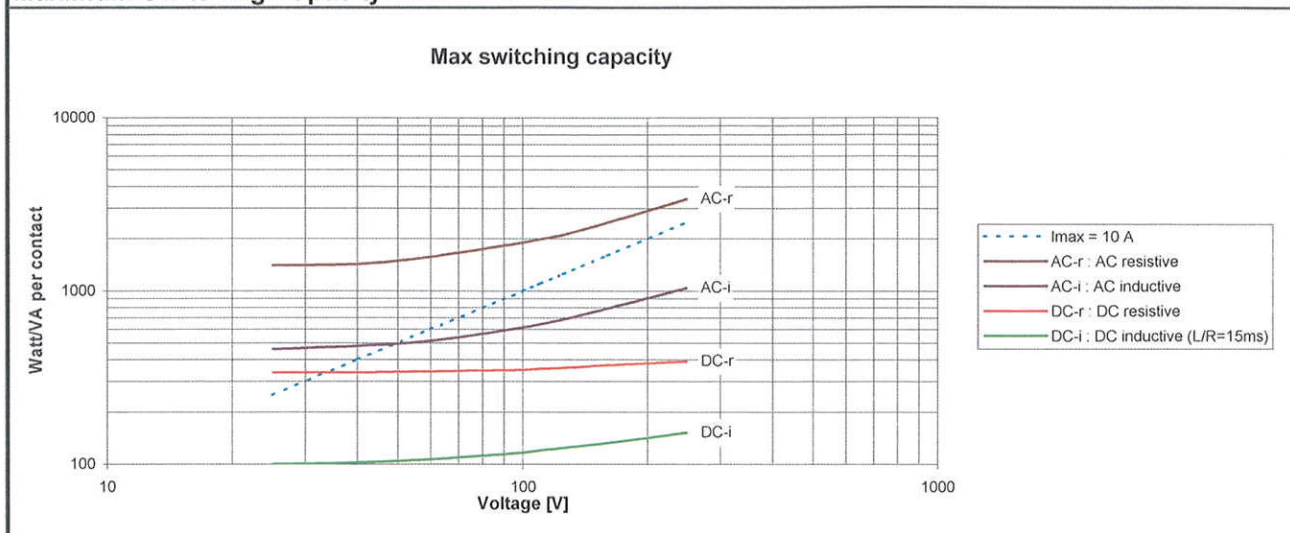
Nominal voltages DC

| Type code | U_{nom} | $U_{pull\ in}$ | $U_{hold\ up}$ | $U_{max\ (55\ ^\circ C)}$ | R_{coil} | R_{series} |
|-------------|-----------|----------------|----------------|---------------------------|---------------|----------------|
| D-R 24 VDC | 24 V | 19.2 V | 1.2 V | 26.4 V | 23.5 Ω | 560 Ω |
| D-R 48 VDC | 48 V | 38.4 V | 2.4 V | 52.8 V | 94 Ω | 2200 Ω |
| D-R 60 VDC | 60 V | 48.0 V | 3.0 V | 66.0 V | 135 Ω | 3300 Ω |
| D-R 110 VDC | 110 V | 88.0 V | 5.5 V | 121.0 V | 510 Ω | 12000 Ω |
| D-R 125 VDC | 125 V | 100.0 V | 6.3 V | 137.5 V | 510 Ω | 15000 Ω |
| D-R 220 VDC | 220 V | 176.0 V | 11.0 V | 242.0 V | 1850 Ω | 47000 Ω |

Other voltages on request (only DC voltages)

| Contact data | | | |
|-------------------------|---------------------------|----------------------------------|----------------------|
| Max. Make Current | 16 A | Material | silver |
| Max. Cont. Current | 10 A (AC1 ; IEC 947) | Contactgap | 0.8 mm |
| Max. Breaking Capacity | | Insulation between open contacts | 2.5 kV, 50 Hz, 1 min |
| | DC 110 V, 1 A AC 440 V | Contactforce | > 200 mN |
| Min. Switching Voltage | 12 V | | |
| Max. Contact Resistance | 15 mΩ | | |

Maximum Switching Capacity



General Data

| | | | |
|--------------------------|--|--------------------------------|----------------------|
| Dielectric strength | Pole-Pole | IEC 255-5/ | 4 kV, 50 Hz, 1 min |
| | Cont-Coil | | 2.5 kV, 50 Hz, 1 min |
| Insulation Class | IEC 255-5 | serie C 380 V 50Hz/450 VDC | |
| Pulse Withstanding | IEC 255-5 | 5 kV (1.2/50 μs) | |
| Vibration | IEC 68-2-6 | 5 g at 50 Hz 2 g, 10-150 Hz | |
| Shock | IEC 68-2-27 | 15 g, 11 ms | |
| Mechanical life | | 30*10 ⁶ ops | |
| Max. Switching Frequency | | 1200 ops/h | |
| Weight | | 125 g | |
| Temperature | T _{amb,max} | +55 °C, 1 cm detached | Higher T on request |
| | T _{amb,min} | -25 °C | |
| Humidity | 90%, temporary permitted condensation | | |
| Protection | IP 50 | | |
| Materials | Makrolon Polyester | | |
| Options | B: Magnetic arc-blow-out A: Pull-in indicator | | |

Australian Distributor



Relay Monitoring Systems Pty Ltd
6 Anzed Court
Mulgrave, Victoria, 3170, Australia

Phone: +61 3 8544 1200
Fax: +61 3 8544 1201
Email: rms@rmspl.com.au
Web: www.rmspl.com.au