

L series Plug-in Power Relays



Contacts: 2 C/O 12A
Miniature size, power relay
Plug-in
Standard with LED indicator
Easy marking

Contacts	
Contact number & arrangement	2 C/O
Contact material	AgCdO
Voltage	
Max. switching voltage AC/DC	250V / 250V
Min. switching voltage AC/DC	5V
Current	
Rated load AC1	12A / 250V AC
DC1	12A / 24V DC
Min. inrush current	50 mA
Rated current / Max. inrush current	12A / 20A
Min. switching load	300 mW
Max. breaking capacity	3000 VA
Resistance	= 100 mOhm at 1 A, 24 V
Max. operating frequency	≤
at rated load	1200 cycles/hour
no load	18000 cycles/hour

Coil	
Voltage	
Rated voltage	12...125 V DC 12...230 V AC 50/60Hz
Must release voltage	≅ 0,1 Un (DC); ≅ 0,2 Un (AC)
Operating range of supply voltage	See tables 1 & 2 (Others on request)
Rated power consumption	1,1W (DC) 1,6VA (AC) 50Hz, 1,9VA (AC) 60Hz

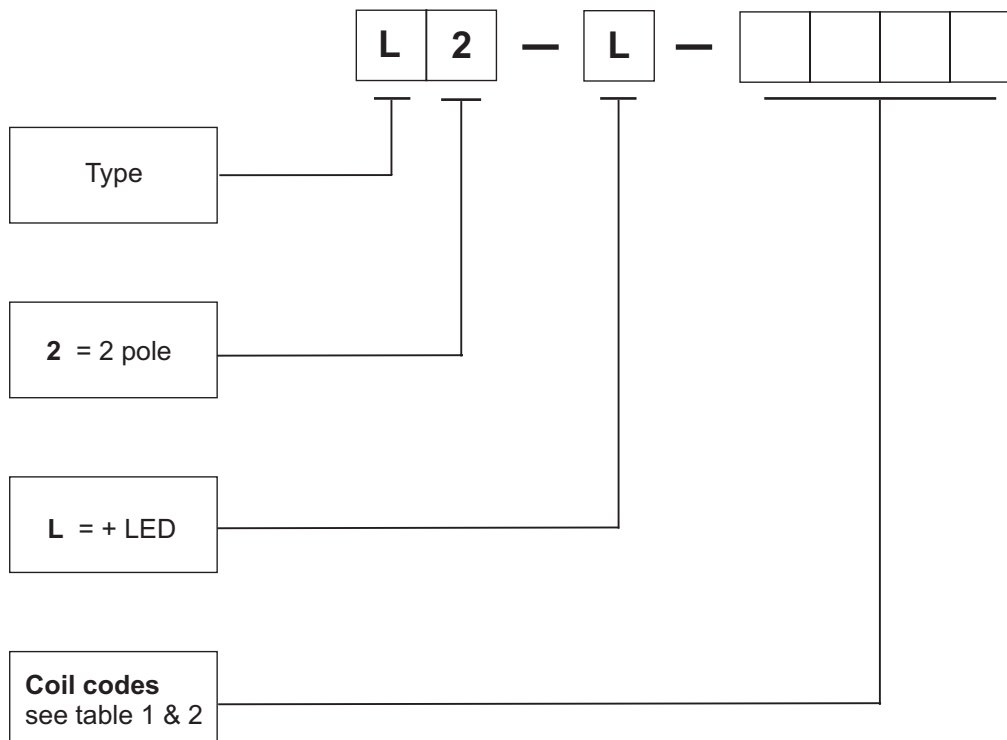
Insulation	
Insulation category	B 250
Voltage	
Insulation rated voltage	250 V AC
Dielectric strength:	
coil-contact	2000 V AC
contact-contact	750 V AC
pole-pole	2000 V AC
Contact-coil distance	
clearance	≥ 2,6 mm
creepage	≥ 4 mm

General data	
Operating time	15 ms (AC), 15 ms (DC)
Release time	10 ms (AC), 10 ms (DC)
Electrical life	
resistive	≥ 10 ⁵ at 10 A, 250 V
cos	see Fig. 3
Mechanical life	≥ 2x10 ⁷
Dimensions (L x W x H)	27,5 x 21,2 x 35,5 mm
Weight	35 g
Ambient temperature	
storing	-40...+70 °C
operating	-40...+55 °C
Cover protection category	IP40
Shock resistance	10 g
Vibration resistance	5 g for 15...150Hz

Coil data DC – Version			Table 1	
Coil code	Rated voltage V DC	Coil resistance (±10%) at 20 °C	Coil operating range at 20 °C V DC	
			min.	max.
D012	12	160	9,6	13,2
D024	24	640	19,2	26,4
D048	48	2600	38,4	52,8
D110	110	13600	88,0	121,0
D125	125	16000	100,0	137,5

Coil data AC 50/60Hz – Version			Table 2	
Coil code	Rated voltage V AC	Coil resistance (±15%) at 20 °C	Coil operating range at 20 °C V AC	
			min.	max.
A012	12	38	9,6	13,2
A024	24	150	19,2	26,4
A048	48	680	38,4	52,8
A110	110	3100	88,0	121,0
A230	230	15400	184,0	253,0

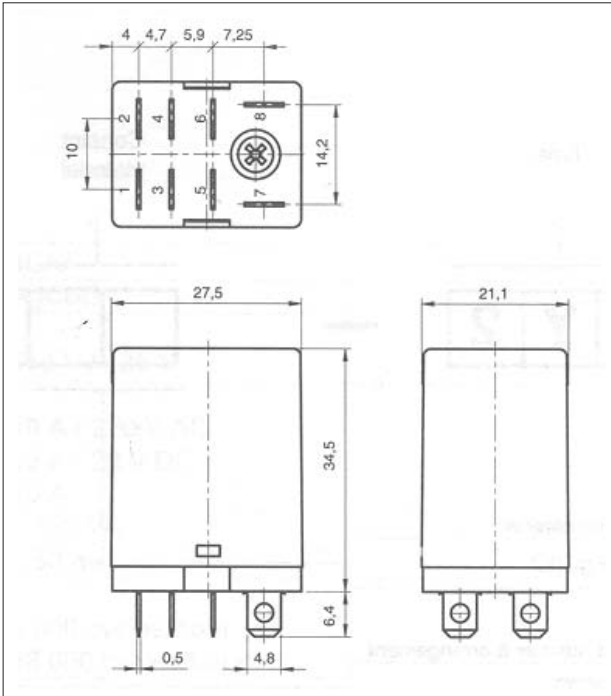
Ordering codes



Example: L2-L-A024

L-serie relay, 2 pole + LED, coil:24V AC

Dimensions

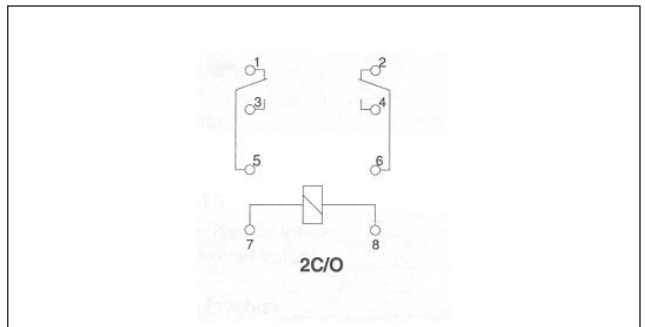


Mounting

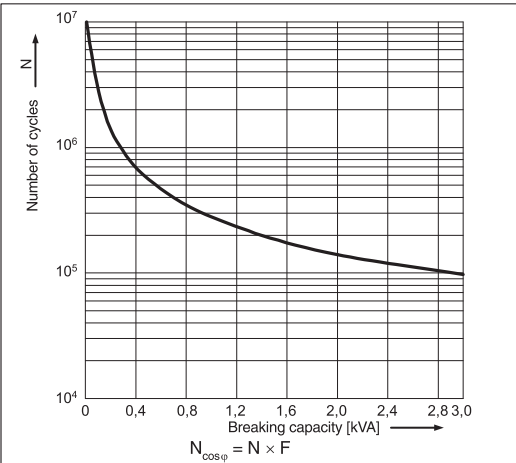


Socket, **VL-2** (2 pole relays)
DIN-rail mounting

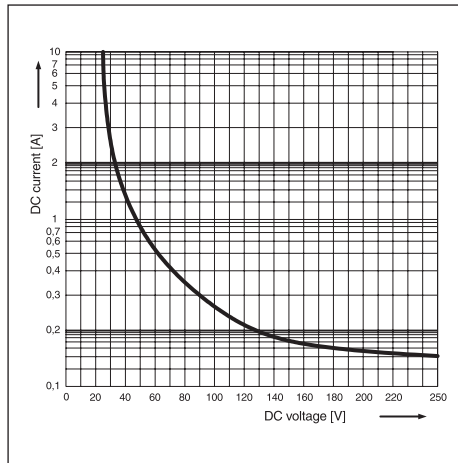
Connections diagram (pin side view)



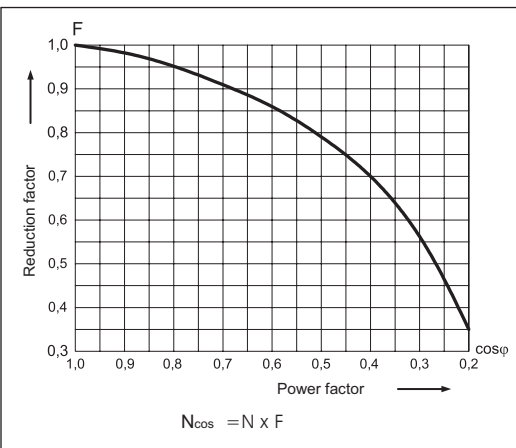
Electrical life at resistive load Fig. 1



Max. DC load breaking capacity Fig. 2



Electrical life reduction factor at AC inductive load Fig. 3



Australian Distributor



Relay Monitoring Systems Pty Ltd
6 Anzed Court
Mulgrave, Victoria, 3170, Australia

Phone: +61 3 8544 1200
Fax: +61 3 8544 1201
Email: rms@rmspl.com.au
Web: www.rmspl.com.au