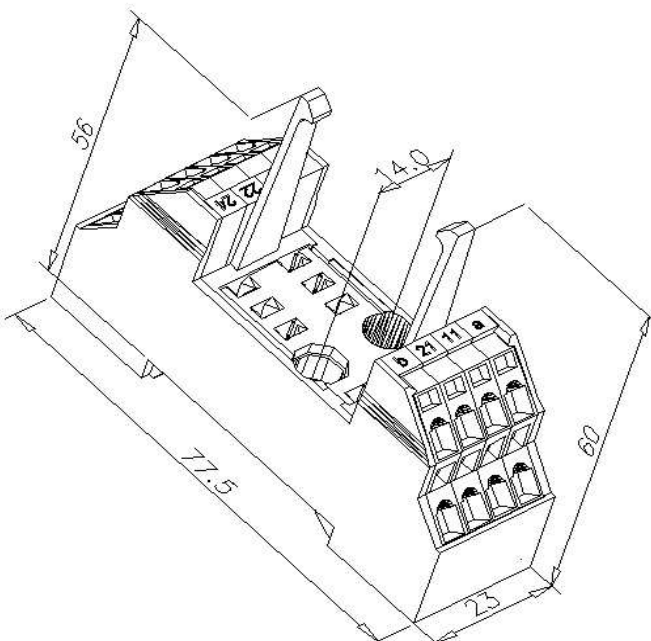



SOCKET

Product V17 & accessories	Country of Origin: The Netherlands	
Dimensions		
		
	P.O. Box 7023 3502 KA Utrecht The Netherlands T +31 (0)30-288 13 11 F +31 (0)30-289 88 16 E sales@nieaf-smitt.nl I www.nieaf-smitt.nl	
	Accessories	
	key receptacle	A104 378690100
	CU extractor	A171 502110000

Description

Socket with two cage clamp spring (WAGO) terminals per relay contact.
 For solid and (fine) stranded wires up to 2.5 mm².
 Quick connection by pressing the cage clamp with a flat-bladed screw driver and inserting the stripped wire.
 Suitable for CU and CU-U200 relays.
 Equipped with an integrated retaining clip.
 Socket can be used for rail mounting (35 mm) and for service/wall mounting.

Versions

Name	Partnumber	Protection device	Nom. voltage of relay
V17	338001400		-
V17-D	338001401	diode	-
V17-Q1	338001402	double zener	12V - 30V
V17-Q2	338001403	double zener	30V - 45V
V17-Q3	338001404	double zener	45V - 65V
V17-Q4	338001405	double zener	65V - 90V
V17-Q5	338001406	double zener	90V - 150V

Contact rating	8 A (AC1)	IEC 60947
Non-repetitive peak current	200A/10ms	NF F 62 002
Dielectric strength	2500 V; 50 Hz; 1 min 2500 V between terminals and mounting plate	IEC 60255/ IEC 60571
Protection category	IP 20	IEC 60529
Mounting	panelmounting or 35 mm rail	
Max ambient temperature	80 °C	
Weight	50 g	
Wire cross section	0,08 - 2,5 mm ²	
Material	Polyamide 6,6 30% glass	Class 2 according to NF F16-101 and 102

Australian Distributor



Relay Monitoring Systems Pty Ltd
6 Anzed Court
Mulgrave, Victoria, 3170, Australia

Phone: +61 3 8544 1200
Fax: +61 3 8544 1201
Email: rms@rmspl.com.au
Web: www.rmspl.com.au