



# *2T104K14 Test Manual*

## *Digital Setting Time Delay Relay*

relay monitoring systems pty ltd

---

### **Advanced Protection Devices**



User Guide



Test Manual



# 2T104K14 Test Manual

## Links to Other Documents

- Technical Bulletin: <http://www.rmspl.com.au/handbook/2T104.pdf>
- User Guide: [http://www.rmspl.com.au/userguide/2T104\\_user\\_guide.pdf](http://www.rmspl.com.au/userguide/2T104_user_guide.pdf)
- Application: [http://www.rmspl.com.au/solutions/2T104\\_application.pdf](http://www.rmspl.com.au/solutions/2T104_application.pdf)
- Acad Case Drawings: <http://www.rmspl.com.au/2T104acad.htm>

## Test Certification

This is to certify that the equipment detailed below has been manufactured, inspected & tested in accordance with a Quality System which complies with the requirements of AS/NZS ISO9001-2000.

Order Number	Serial Number

Only valid when the "Passed" box has been signed off by Production Personnel.

## Version Control

Issue	Date	Summary of changes
A	07/04/2003	Initial issue.
B	19/04/2005	Document reformat

Due to RMS continuous product improvement policy, this information is subject to change without notice.  
This document is uncontrolled and subject to copyright.

Author	Checked & Registered	.pdf file created	Released
ERL	DG	DG	



**1.0 HARDWARE SPECIFICATIONS – 2T104K14 [B][B][A][A]**

- 1.1 Auxiliary Supply** [B] 40 - 275 VAC, 40 - 300 VDC
- 1.2 Initiate Input** [B] 75 -150 V AC-DC
- 1.3 Remote Flag Reset Input** [A] 24 - 80 V AC-DC
- 1.4 Timing Reset Function** [A] Instantaneous Reset
- 1.5 Non-Standard Features**  
Hardware specifications not described in Technical Bulletin. None

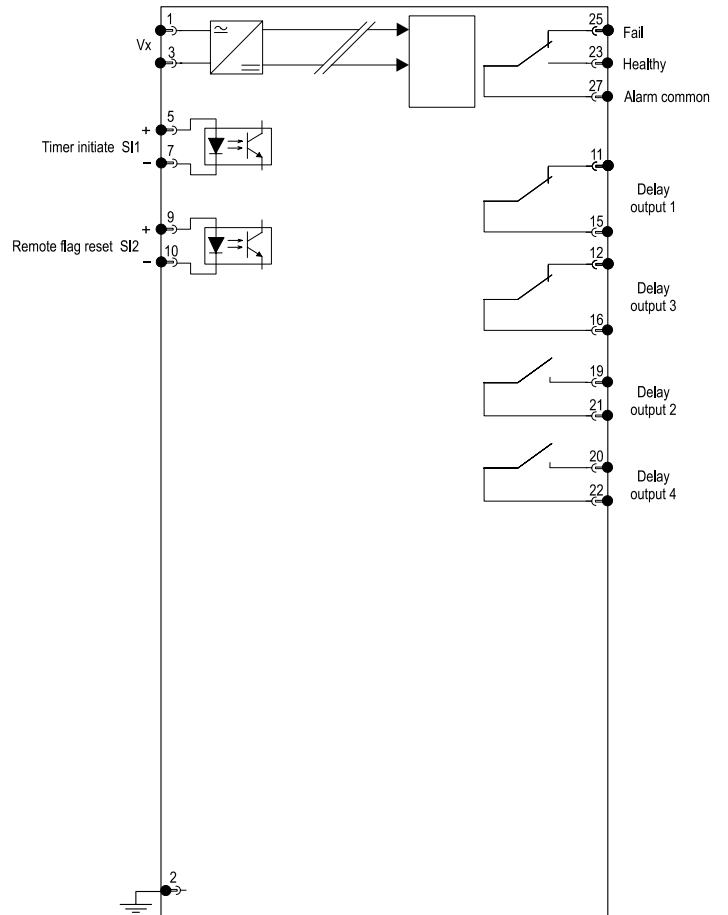
**2.0 VERIFICATION**

This is to certify that the equipment has been manufactured, inspected and tested in accordance with a Quality System, which complies with the requirements of ISO9001: 2000.

Testing has been carried out against the declared performance specification 164-104-800 and in accordance with the relevant International (IEC) Standards.

PASSED BY	DATE

### 3.0 CONNECTION DIAGRAM



2T104 wiring diagram - Relay shown in de-energised condition