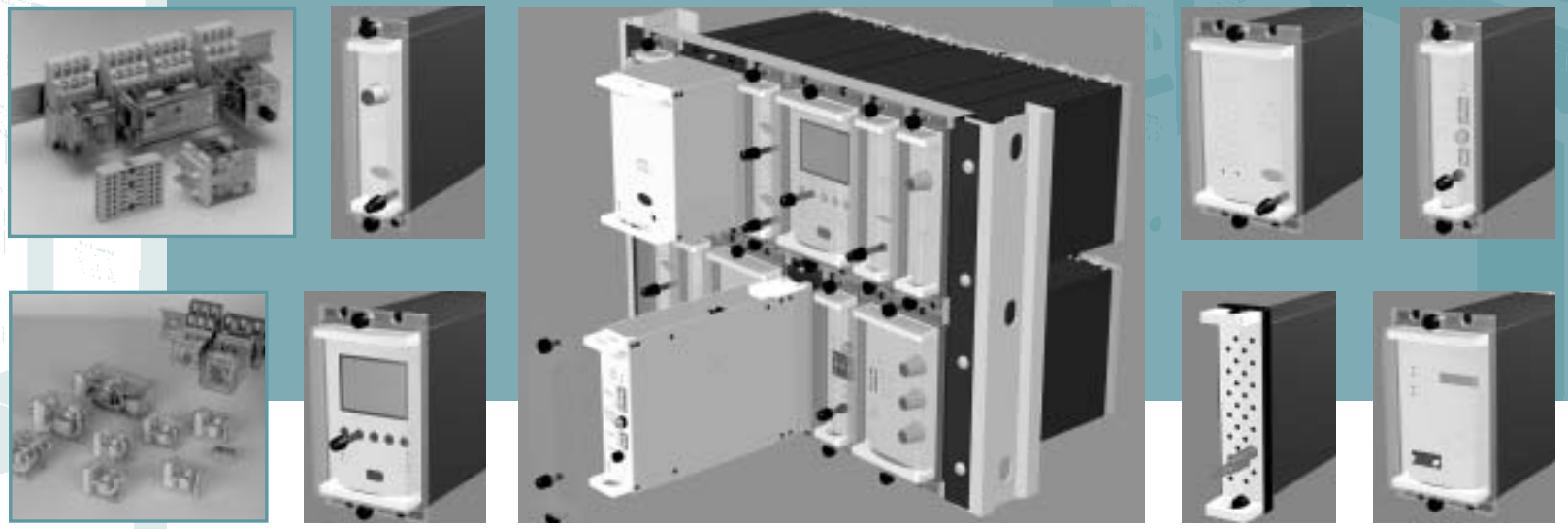


THE RELAY SPECIALISTS



relay monitoring systems pty ltd www.rmpl.com.au

2T105 Multi Function Timer



Protection & Control Solutions

2T105 Multi Function Timer

The 2T105 time delay relay is particularly suitable for use in protection & control schemes where precision time delays are required.

CB FAIL

A typical use is for providing a definite time delay in circuit breaker failure protection.

INDUCTION DISC RESET EMULATION

The 2T105 may be specified with a number of reset functions to grade with existing protection relays.



2T105 Multi Function Timer

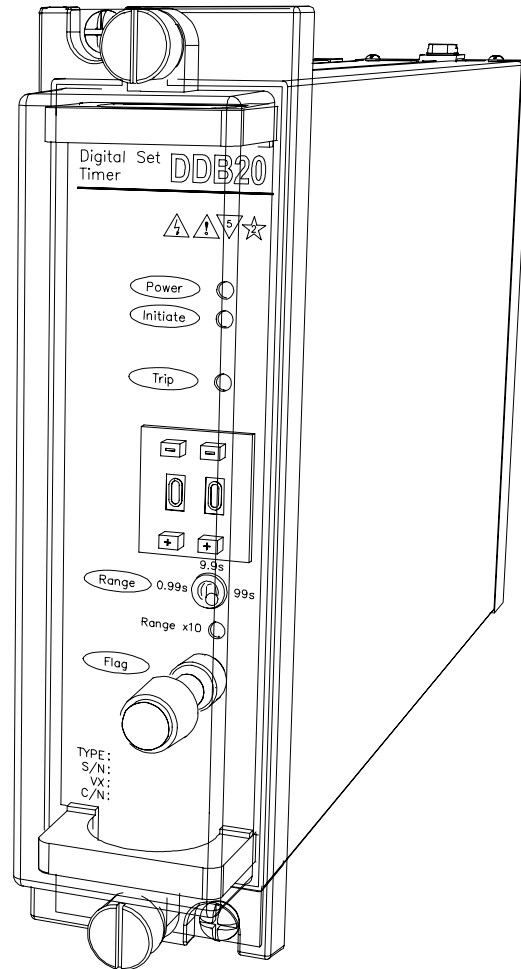
- 0-0.99s, 0-9.9s, 0-99s, 0-990s time ranges
- High accuracy & repeatability
 - timing compensated for output relay delay
- Time settings by digital thumb wheels
- Selectable delay operate or delay release
- Instantaneous, definite time or count down reset functions
- 4 C/O output contacts



2T105 Multi Function Timer

- Wide auxiliary supply range with fail alarm
- Timing in progress LED
- Non-volatile trip indication
- Multi voltage timer initiate input
- Multi voltage flag reset input
- Size 2M draw out case

Front Panel Settings & Indicators

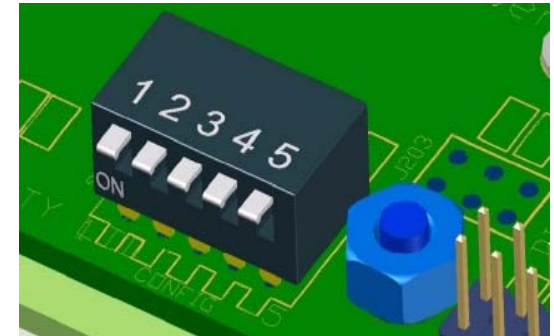


- Power LED
- Timing LED
- Flag indication
- Time delay setting
- Time range setting
- Delay operate / release selection
- Flag reset button

Configuration Switches

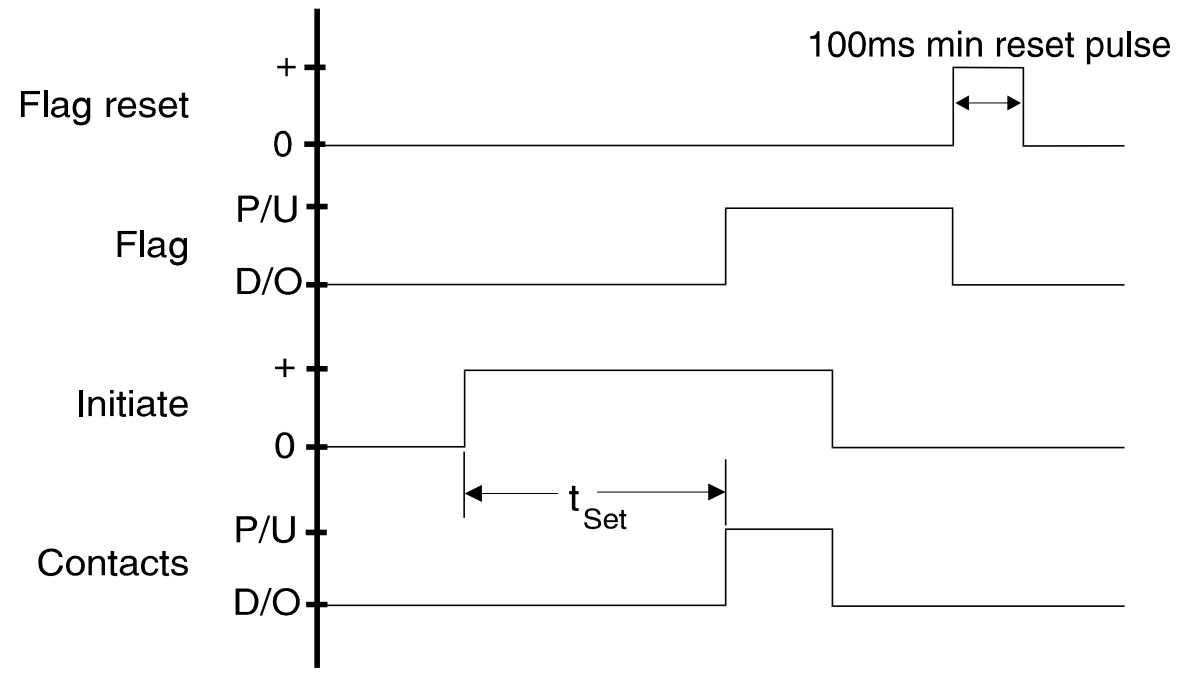
The relay configuration can be set in the field by withdrawing the relay module & following the instructions on the side plate label.

- 1 STATUS INPUT OPERATION**
 - 1 ON DC operation only - AC rejection ON (Default)
 - 0 OFF AC / DC operation - AC rejection OFF
- 2 TIMER INITIATE INPUT**
 - 1 ON Apply volts to initiate (Default)
 - 0 OFF Remove volts to initiate
- 3 TIME DELAY FUNCTION**
 - 1 ON Time delay OPERATE (Default)
 - 0 OFF Time delay RELEASE
- 4 OUTPUT RELAY FUNCTION**
 - 1 ON All outputs contacts are time delayed (Default)
 - 0 OFF Output contact 4 will operate instantaneously irrespective of the front panel time delay settings.
- 5 TIME RANGE MULTIPLIER**
 - 1 ON Selected time range x1 (Default)
 - 0 OFF Selected time range x10



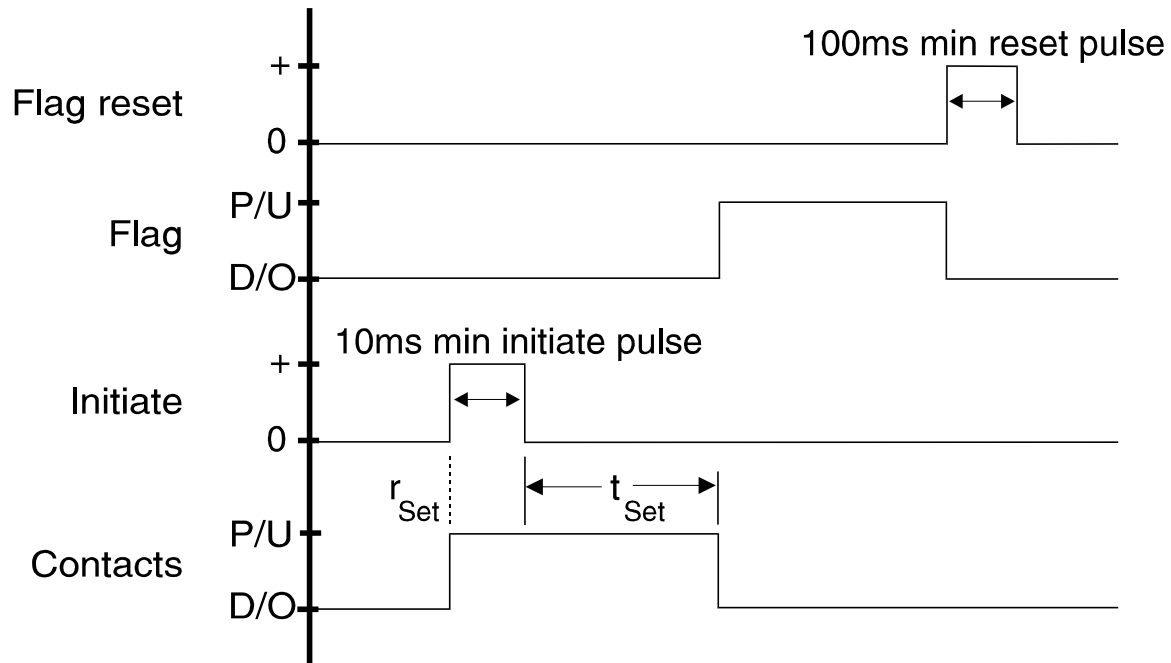
2T105 Timing Modes

Delay Operate (ON)

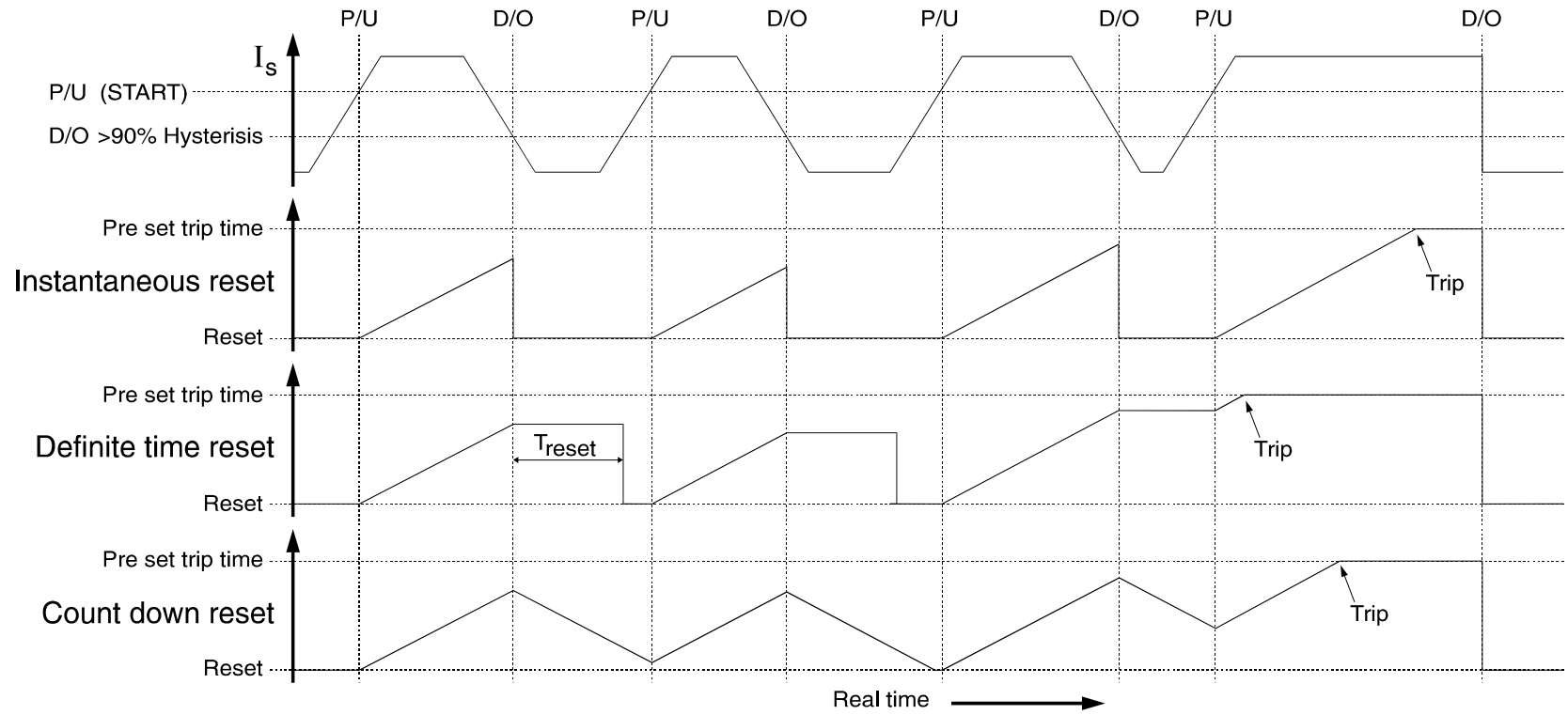


2T105 Timing Modes

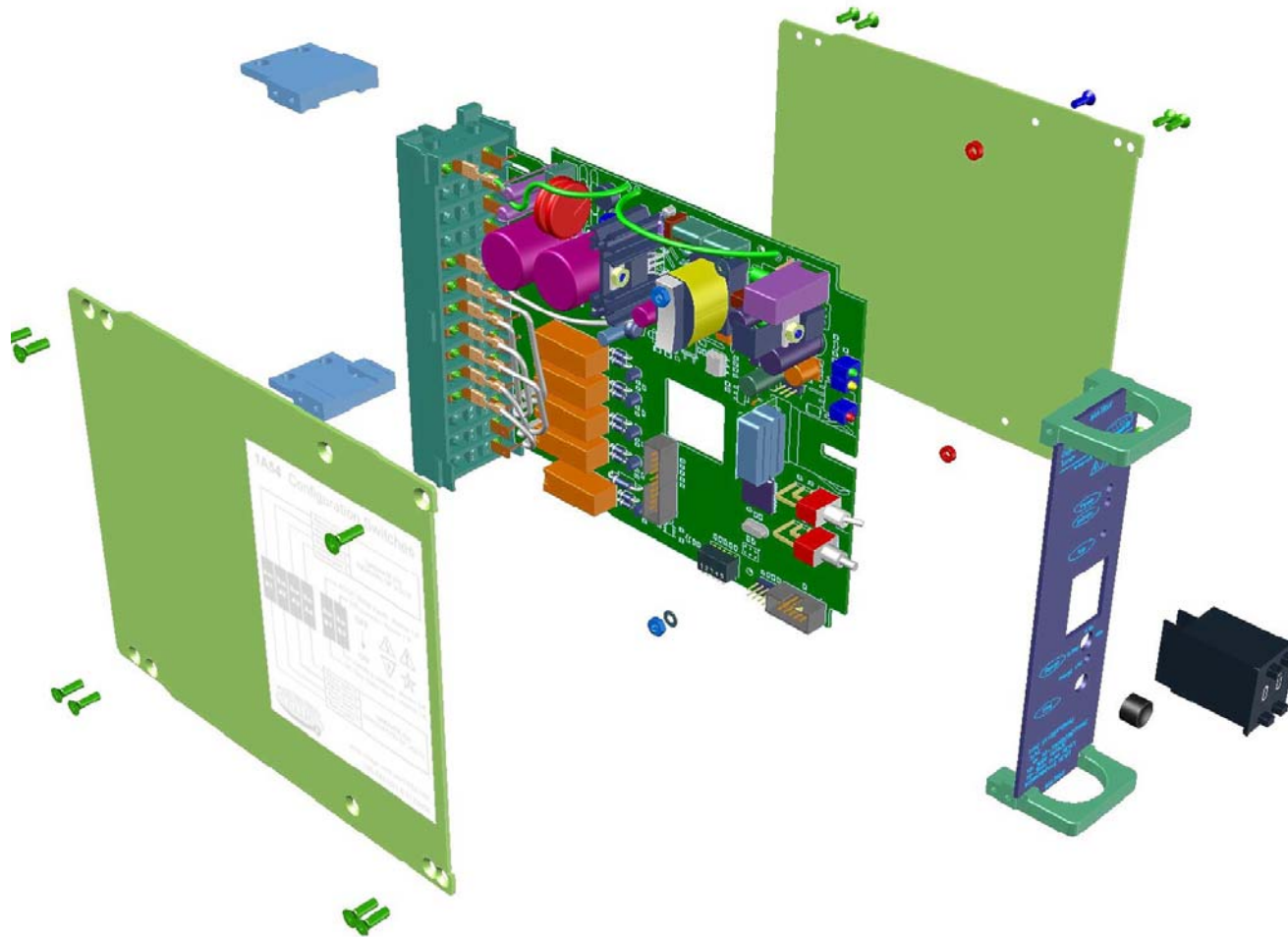
Delay Release (OFF)



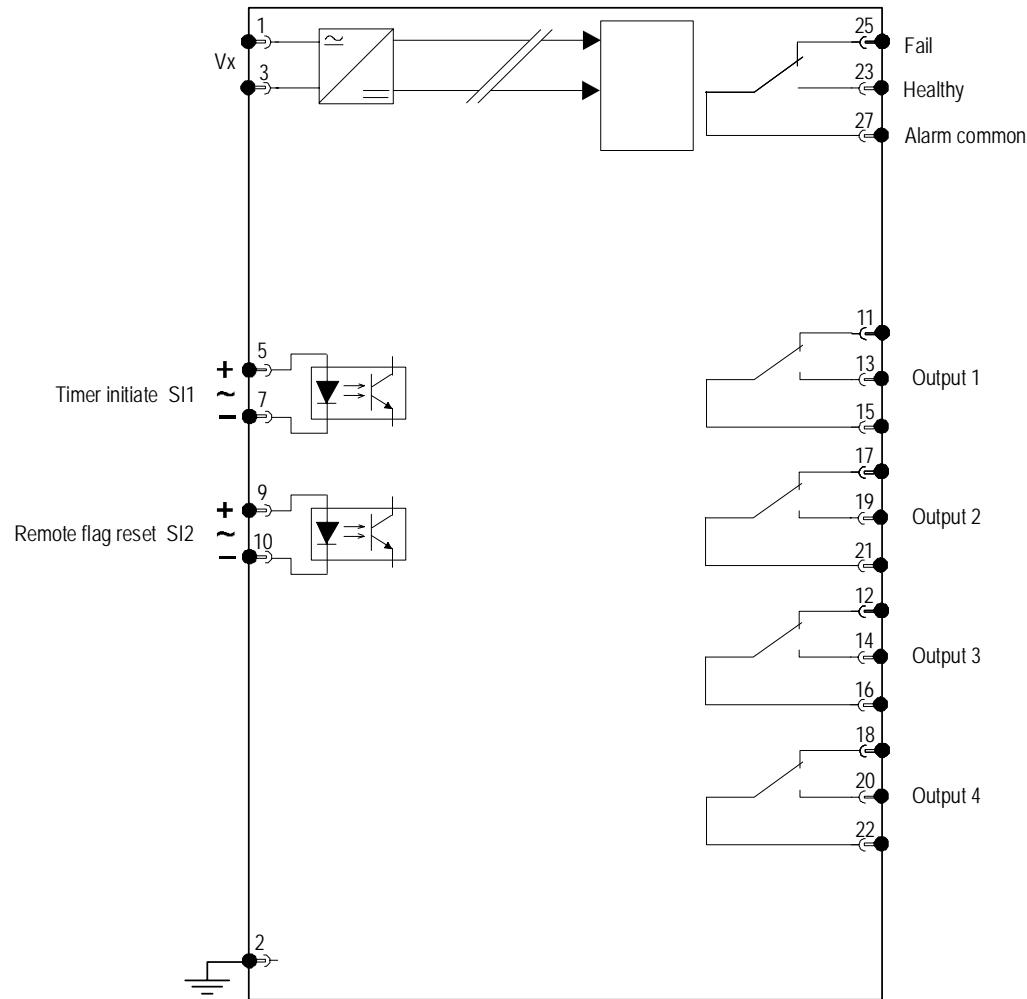
2T105 Time Delay Reset Characteristics



Draw Out Module



2T105 Terminals



Customer Generated Ordering Code

Generate the required order code as follows: e.g. 2T105-BAA

General Type		Order Code		
2T105	-	1	2	3

1 AUXILIARY SUPPLY RANGE

- A 20-70V DC
- B 40-275V AC & 40-300V DC

2 TIMING RESET FUNCTION

- A Instantaneous reset
- B Definite time reset – Treset ____ s
Specify a Treset delay in the range 0.1 to 255s in 0.1s steps
- C Count down reset

3 TRIP FLAG

- A Red LED non volatile trip indication (Standard)
- B Magnetic disc trip flag



2T105 Additional Information

- Technical Bulletin
- User Guide
- Auto Cad Mounting Drawings
- Price & Availability

www.rmspl.com.au/2t105.htm

- Test Manuals

www.rmspl.com.au/search.asp

- Other Products

www.rmspl.com.au/products.htm

