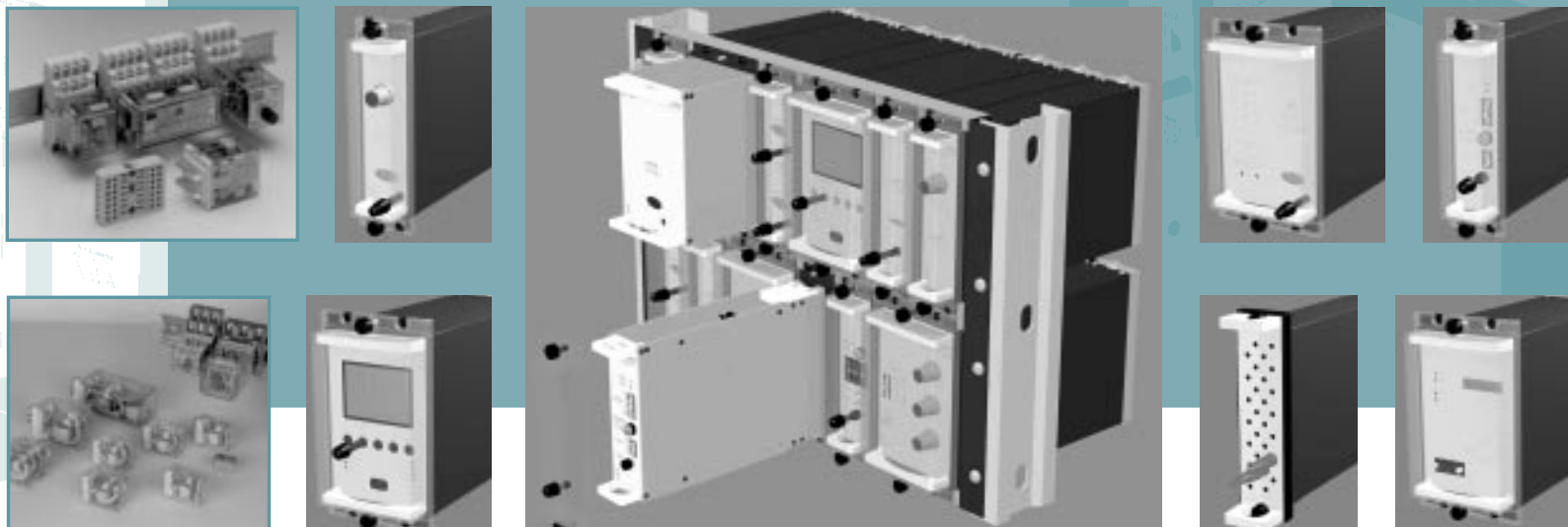


**THE RELAY SPECIALISTS**



relay monitoring systems pty ltd [www.rmpl.com.au](http://www.rmpl.com.au)

# 3A20 Pilot Wire Send / Receive Relays



## 3A20 Pilot Wire Send / Receive Relays



The **3A20 Series Relays** are intended for the remote control of switchgear & associated equipment via pilot wires on which induced AC voltages could cause false tripping.



## 3A201 Pilot Wire Send Relay

The **3A201 Send relay** is used to interface a conventional protection relay to the pilot wire with suitable electrical isolation for the feeder voltage level.



## 3A200 Pilot Wire Send Relay

The **3A200 Receive relay** is used to interface the pilot wire to the circuit breaker at the receive end with suitable electrical isolation for the feeder voltage level.

The **3A200** employs an internal filter & a special relay coil fitted with a copper sleeve over the core which makes the relay element immune to AC voltages to over 300V.



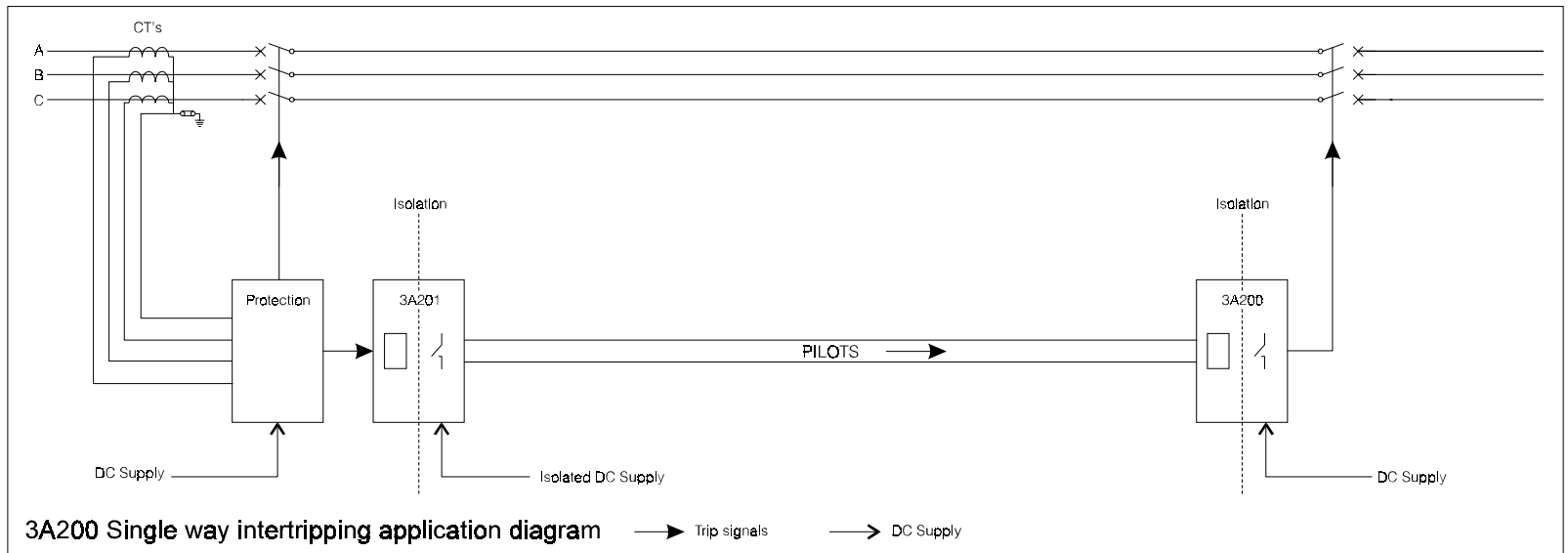
## 3A202 Pilot Wire Send / Receive Relay



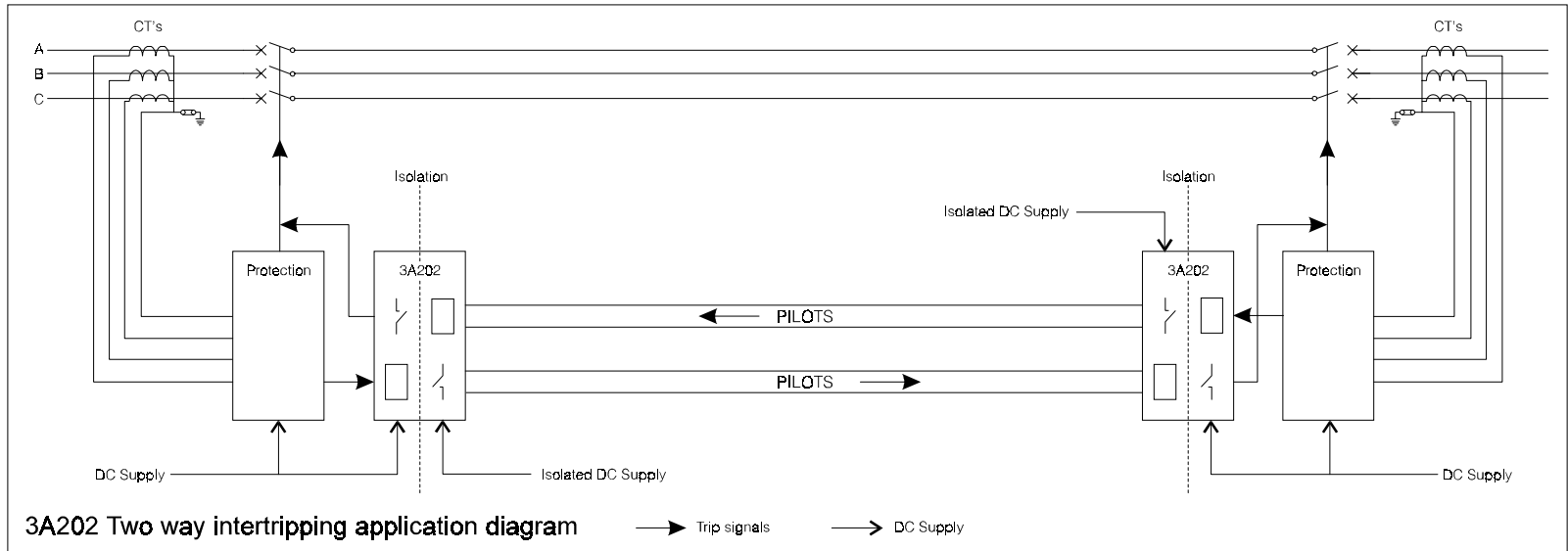
The **3A201 Send relay** combines a 3A201 Send & a 3A200 Receive relay element in a single case for two way intertripping applications.



# One Way Intertripping Scheme



# Two Way Intertripping Scheme



## Pilot Wire Isolation

Pilot wire relays require high levels of isolation between coil & contacts as the pilots may be subject to insulation break down & high induced voltages caused due to proximity to the high voltage cables.



## Isolation

The **3A20 relays** are available in three models depending on the isolation requirements of the particular application:

**2KV RMS** - For system voltages up to 6.6KV

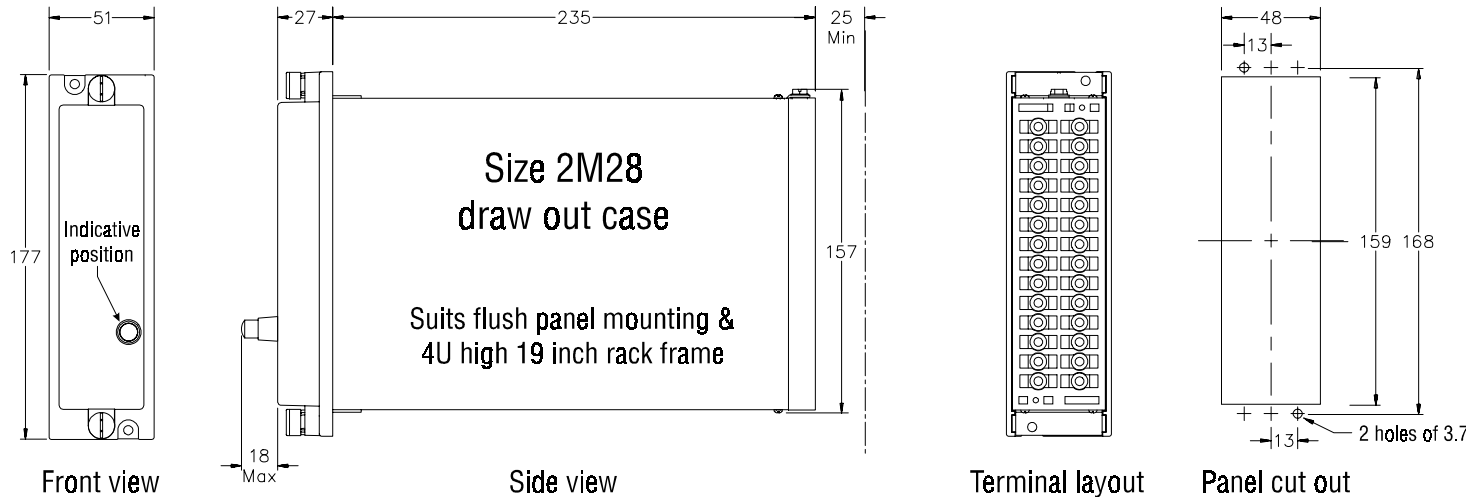
**5KV RMS** - For system voltages up to 22KV

**15KV RMS** - For system voltages above 22KV

# Case Options



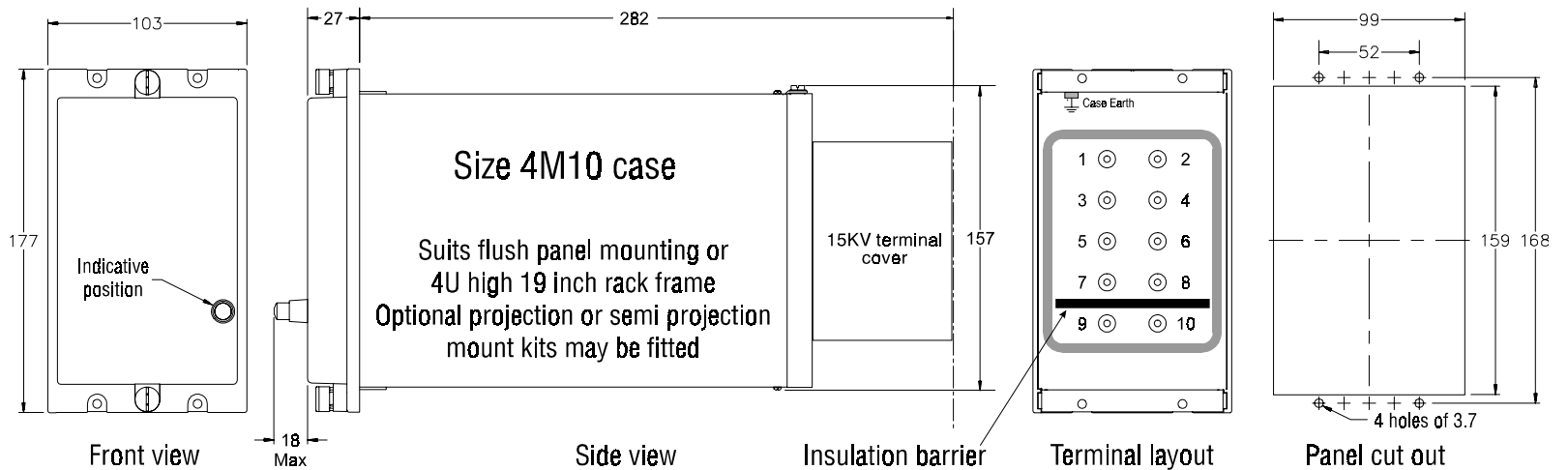
## 2KV and 5KV RMS Panel Mount Cases



# Case Options



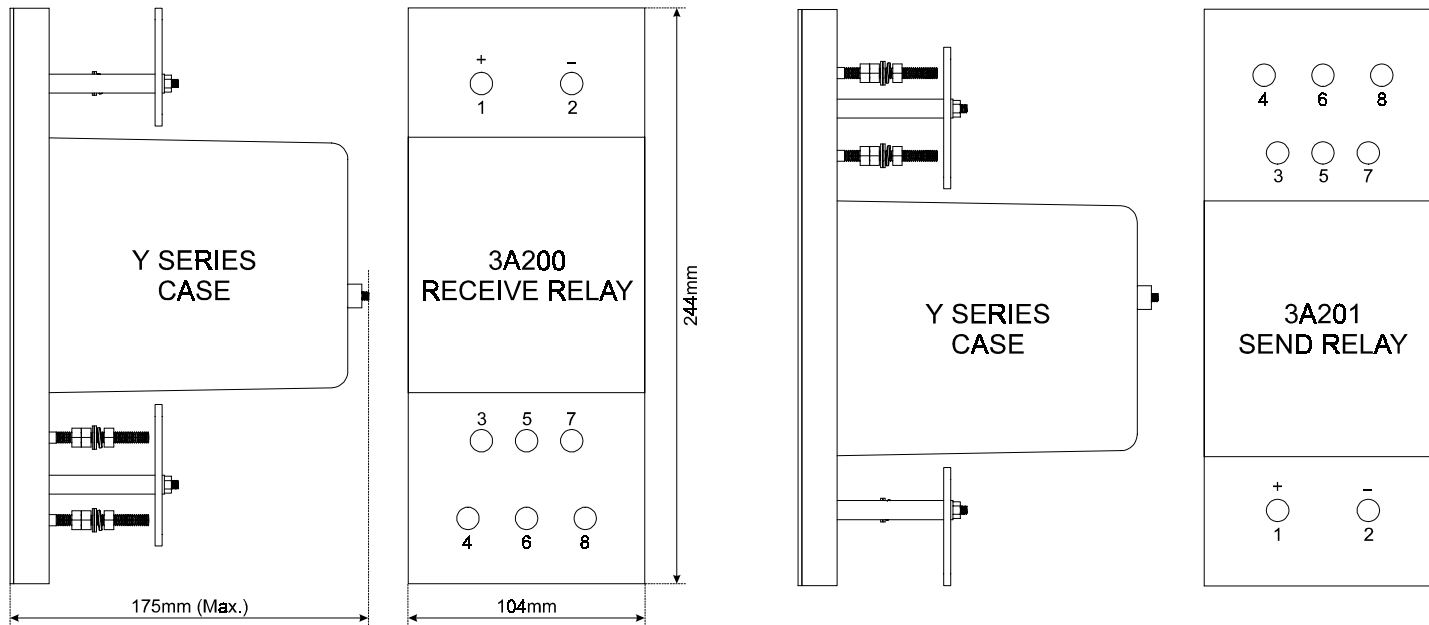
## 15KV RMS Panel Mount Cases



# Case Options



## 15KV RMS Surface Mount Cases





## 3A20 Additional Information



- Technical Bulletin
- User Guide
- Auto Cad Mounting Drawings
- Price & Availability

[www.rmspl.com.au/3A200.htm](http://www.rmspl.com.au/3A200.htm)

- Test Manuals

[www.rmspl.com.au/search.asp](http://www.rmspl.com.au/search.asp)

- Other Products

[www.rmspl.com.au/Products.htm](http://www.rmspl.com.au/Products.htm)

