

**PS5R Standard Series — Switching Power Supplies**



**Key features of the PS5R standard series include:**

- Wide Power Range: 7.5W-240W
- Universal Input:  
7.5W-75W:85-264V AC/105-370V DC  
100W:100-120V AC/200-240V AC  
(Selectable) 240-370V DC  
120W-240W:85-264V AC/105-370V AC
- Fused Input
- Overcurrent/Overvoltage Protection
- Power Factor Correction (75W, 120W, 240W models)  
EN61000-3-3  
EN61000-3-2
- Voltage adjustment + 10%
- Spring-up Screw Terminal, IP20 (finger-safe)
- DIN rail or Panel Surface Mount
- Approvals:  
CE marked  
UL 508 Listed  
UL, c-UL  
TUV approved  
EMC Directives: EN50081-2  
EN50082-2  
EN61000-6-2  
LVD EN60950:2000

**L**  
Power Supplies



UL 508 Listed  
File # E177168



Cert. No.  
BL980213332392

**Part Numbers**

Part Number	Item	Watts	Rated Voltage	Rated Current
PS5R-A05		7.5	5V DC	1.5A
PS5R-A12			12V DC	0.6A
PS5R-A24			24V DC	0.3A
PS5R-B05		15	5V DC	2.5A
PS5R-B12			12V DC	1.2A
PS5R-B24			24V DC	0.6A
PS5R-C12		30	12V DC	2.5A
PS5R-C24			24V DC	1.3A
PS5R-D24		50	24V DC	2.1A
PS5R-Q24		75	24V DC	3.1A
PS5R-E24		100	24V DC	4.2A
PS5R-F24		120	24V DC	5A
PS5R-G24		240	24V DC	10A

## Specifications

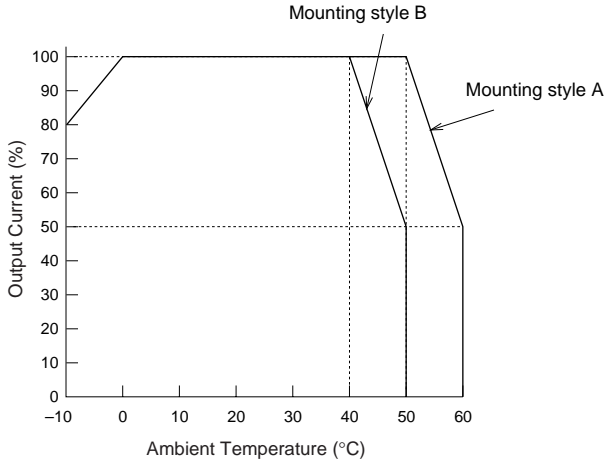
Part Numbers	5VDC output	PS5R-A05	PS5R-B05*	—	—	—	—	—	—	
	12VDC output	PS5R-A12	PS5R-B12	PS5R-C12	—	—	—	—	—	
	24VDC output	PS5R-A24	PS5R-B24	PS5R-C24	PS5R-D24	PS5R-Q24	PS5R-E24	PS5R-F24	PS5R-G24	
<b>Output Capacity</b>		7.5W	15W	30W	50W	75W	100W	120W	240W	
<b>Input</b>	<b>Input Voltage</b> (single-phase, 2-wire)	100 to 240VAC nominal (85 to 264V AC), 50/60Hz (47 to 63Hz) 110 to 340VDC nominal (105 to 370VDC)					100 to 120VAC, 50/60Hz 200 to 240VAC, 50/60Hz (jumper selectable) 240 to 370VDC		100 to 240VAC, 50/60Hz, 110 to 340VDC	
	<b>Input Current (typical)</b>	0.17A at 100VAC	0.3A at 100VAC	0.68A at 100VAC	1.15A at 100VAC	1.1A	2.5A at 100VAC 1.5A at 200VAC	1.8A	4A at 100VAC	
	<b>Internal Fuse Rating</b>	2A	2A	3.15A	3.15A	3.15A	4A	4A	6.3A	
	<b>Inrush Current</b>	50A maximum (at cold start at 200V AC)				70A maximum (at cold start at 230V AC)	50A maximum (at cold start at 200V AC)	70A maximum (at cold start at 230V AC)		
	<b>Leakage Current (at no load)</b>	0.75mA maximum (60Hz, measured in conformance with UL, CSA, VDE)								
	<b>Typical Efficiency</b>	69% at 5V 73% at 12V 75% at 24V	69% at 5V 75% at 12V 79% at 24V	75% at 12V 75% at 24V	79% at 24V	83% at 24V DC	85% at 24V	83% at 24V DC	83% at 24V	
	<b>Oversoltage Protection</b>	Outputs turns off at 105% (typical)								
<b>Output</b>	<b>Voltage and Current Ratings</b>	5V, 1.5A 12V, 0.6A 24V, 0.3A	5V, 2.5A 12V, 1.2A 24V, 0.6A	12V, 2.5A 24V, 1.3A	24V, 2.1A	24V, 3.1A	24V, 4.2A	24V, 5A	24V, 10A	
	<b>Voltage Adjustments</b>	±10% (V.ADJ screw on top)								
	<b>Output Holding Time</b>	20ms minimum (at full rated input and output)								
	<b>Rise Time</b>	200ms maximum (at full rated input and output)								150ms max.
	<b>Line Regulation</b>	0.4% maximum								
	<b>Load Regulation</b>	1.5% maximum								
	<b>Fluctuation due to Ambient Temperature Change</b>	0.05% maximum								
	<b>Ripple Voltage</b>	2% peak to peak maximum (including noise)								
	<b>Overload Protection</b>	120% typical (Zener-limiting)			120% typical, auto reset					
<b>Operation Indicator</b>	LED									
<b>Parallel Operation</b>	PS5R-A	PS5R-B	PS5R-C	PS5R-D	PS5R-Q	PS5R-E	PS5R-F	PS5R-G		
	No				Yes		No		Yes	
<b>Dielectric Strength</b>	Between input and output terminals: 3,000V AC, 1 minute Between input terminals and housing: 2,000V AC, 1 minute Between output terminal and housing: 500V AC, 1 minute									
<b>Insulation Resistance</b>	Between input and output terminals/input terminals and housing: 100MΩ minimum (500V DC megger)									
<b>Operating Temperature</b>	-10 to +60°C (14° to 140°F) (see derating curves)									
<b>Storage Temperature</b>	-30 to +85°C (-22° to 185°F)									
<b>Operating Humidity</b>	20 to 90% relative humidity (no condensation)									
<b>Vibration Resistance</b>	45m/s <sup>2</sup> , 10 to 55Hz, 2 hours on each of 3 axes				10 to 50Hz, 0.75mm p-p, 2 hrs on each of 3 axes					
<b>Shock Resistance</b>	300m/s <sup>2</sup> (30G), 3 shocks in each of 6 directions									
<b>Approvals</b>	Conforms to EMC Directives EN50081-2 & EN50082-2. LVD Directive EN60529 — Certified to EN60950. UL508 listed. UL, c-UL, TUV approved. CE marked. EN61000-3-2									
<b>Weight</b>	150g	170g	360g	390g	800g	600g	1200g	2000g		
<b>Termination</b>	Spring-up, fingersafe terminals with captive M3.5 screws									
<b>IP protection</b>	IP20 (finger safe)									
<b>Dimensions H x W x D (mm)</b>	75 x 45 x 70	75 x 45 x 95	75 x 90 x 95	75 x 90 x 95	120 x 85 x 140	75 x 145 x 95	120 x 115 x 140	120 x 200 x 140		
<b>Dimensions H x W x D (inches)</b>	2.95 x 1.77 x 2.76	2.95 x 1.77 x 3.74	2.95 x 3.54 x 3.74	2.95 x 3.54 x 3.74	4.72 x 3.35 x 5.52"	2.95 x 5.71 x 3.74"	4.72 x 4.53 x 5.52	4.72 x 7.87 x 5.51		



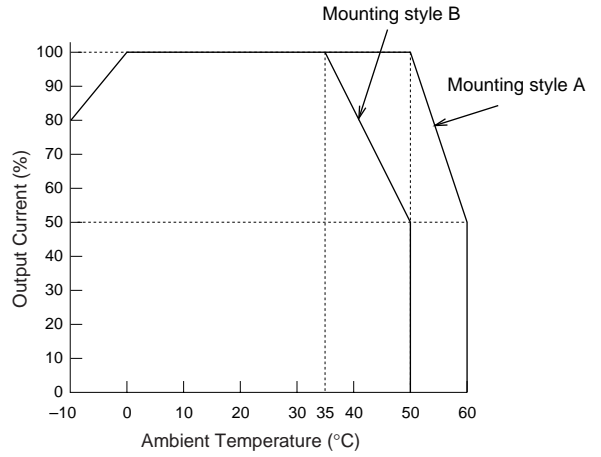
1. For dimensional drawings, see page L-12.
2. For usage instructions, see page L-11.
3. \*12.5W for 5VDC model.

**Temperature Derating Curves**

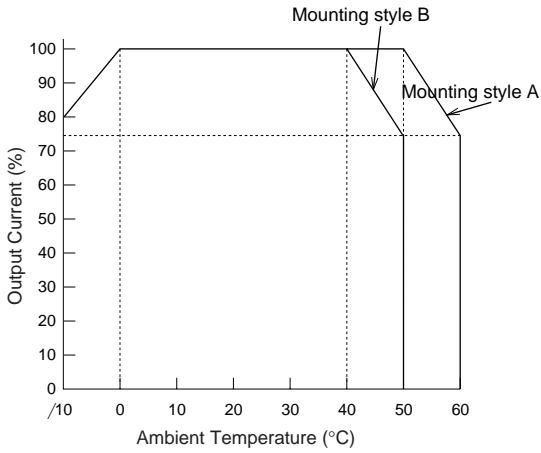
**PS5R-A/B**



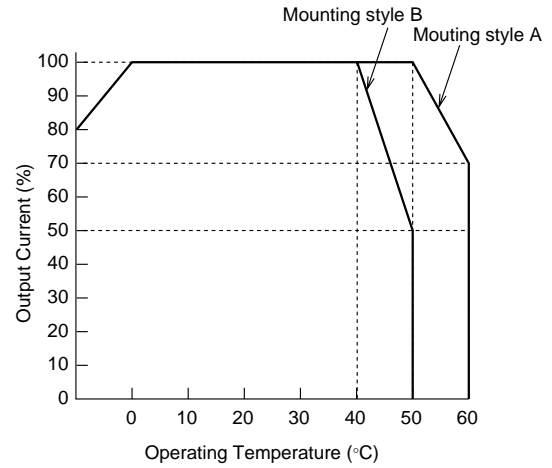
**PS5R-C/D**



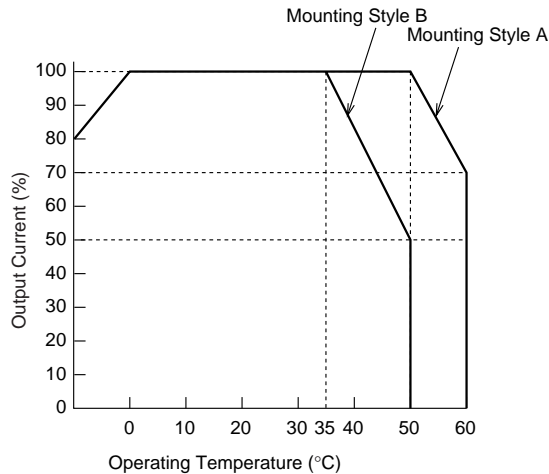
**PS5R-E**



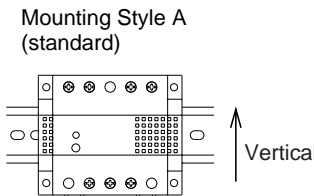
**PS5R-Q**



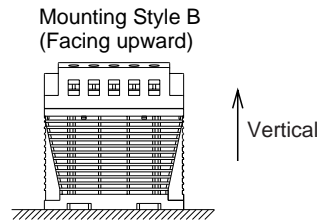
**PS5R-F/G**



**A Mounting**



**B Mounting**





**L**

**Power Supplies**

## Accessories

### Part Numbers: PS5R Accessories

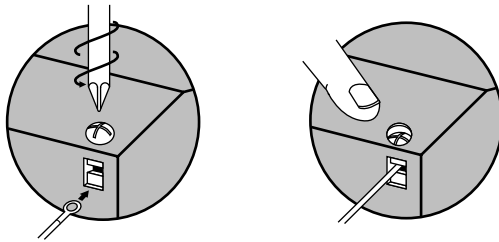
Appearance	Description	Part Number
	DIN rail (1000mm)	BNDN1000
	DIN rail end clip	BNL5

## Installation Instructions

### Time-Saving Spring-up Terminals


The innovative terminals on the PS5R series use a special, spring-loaded screw. This makes installation as easy as pushing down and turning with a screwdriver. Installation time is cut in half since the screws do not need to be backed out to install wiring. The screws are held captive once installed and are 100% finger-safe. Screw terminals accept bare wire or ring or fork connectors.

1. Insert the wire connector into the slot on the side of the power supply.
2. Using a Phillips screwdriver, push down and turn the screw.

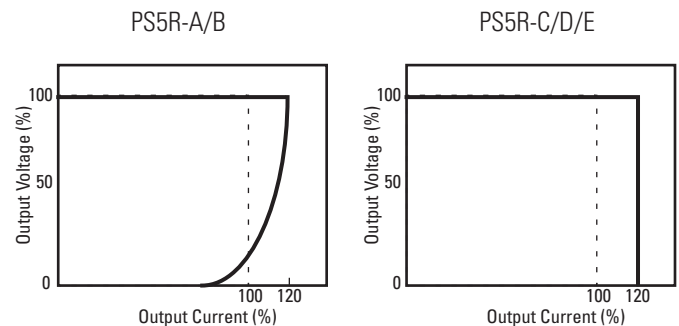


The wire is now connected, and the screw terminal is finger-safe!

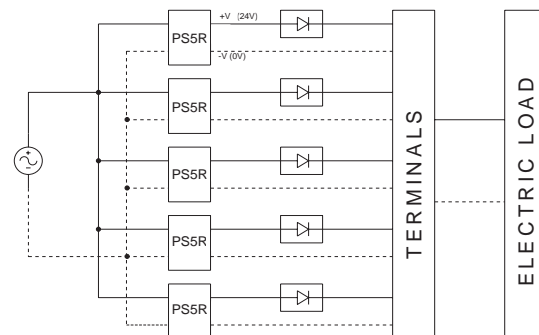
### Front Panel (terminals)

Terminal	Name	Description
V. ADJ	Voltage adjustment	Adjusts within $\pm 10\%$ ; turn clockwise to increase output voltage
DC ON	Operation indicator	Green LED is lit when output voltage is on
+V, -V	DC output terminals	+V: Positive output terminal -V: Negative output terminal
	Frame ground	Ground this terminal to reduce high-frequency currents caused by switching
L, N	Input terminals	Accept a wide range of voltages and frequencies (no polarity at DC input)
NC	No connection	Do <i>not</i> insert wires here, as this may damage the power supply

### Overcurrent Protection Characteristics



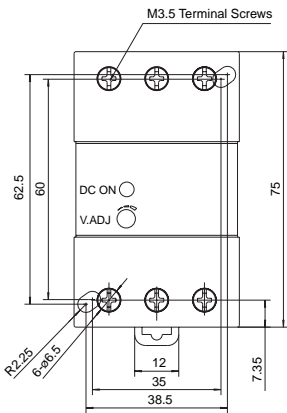
### Parallel Operation



Parallel operation only recommended for PS5R-Q24, PS5R-F24 and PS5R-G24.

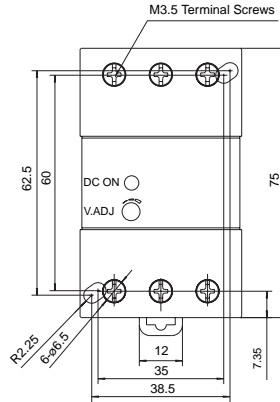
**Dimensions**

**PS5R-A (7.5W)**



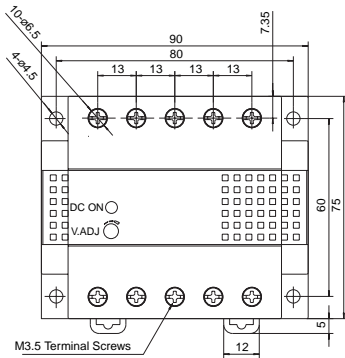
Height 75.0 mm  
Width 45.0 mm  
Depth 70.0 mm

**PS5R-B (15W)**



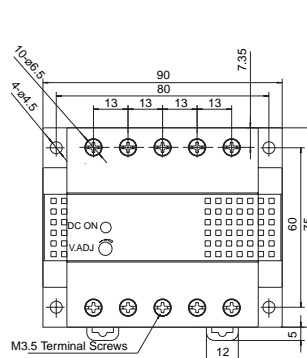
Height 75.0 mm  
Width 45.0 mm  
Depth 95.0 mm

**PS5R-C (30W)**



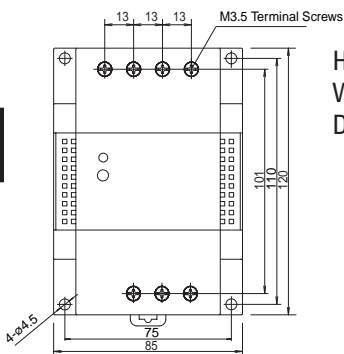
Height 75.0 mm  
Width 90.0 mm  
Depth 95.0 mm

**PS5R-D (50W)**



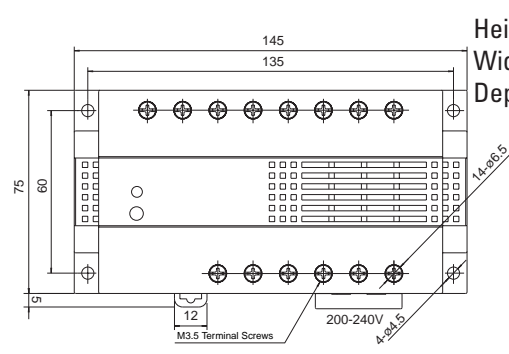
Height 75.0 mm  
Width 90.0 mm  
Depth 95.0 mm

**PS5R-Q (75W)**



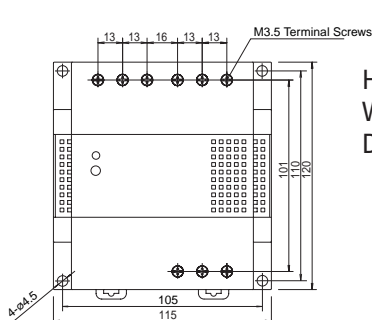
Height 120.0 mm  
Width 85.0 mm  
Depth 140.0 mm

**PS5R-E (100W)**



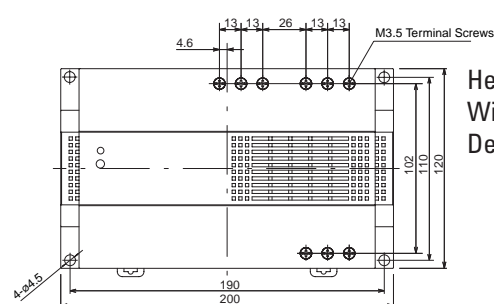
Height 75.0 mm  
Width 145.0 mm  
Depth 95.0 mm

**PS5R-F (120W)**



Height 120.0 mm  
Width 115.0 mm  
Depth 140.0 mm

**PS5R-G (240W)**



Height 120.0 mm  
Width 200.0 mm  
Depth 140.0 mm

**Power Supplies**